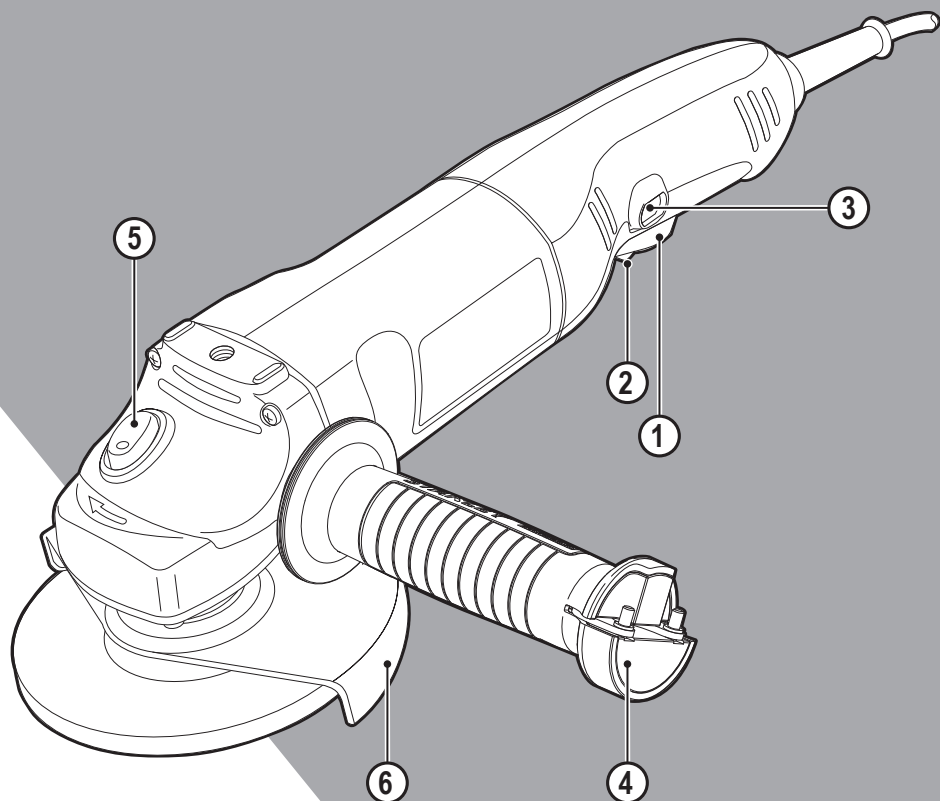


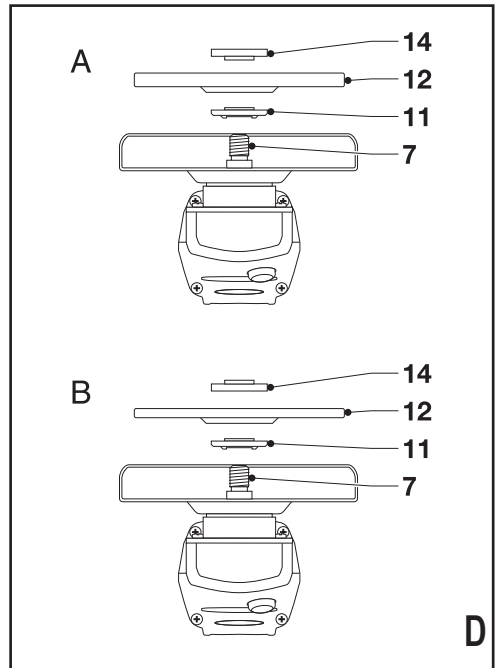
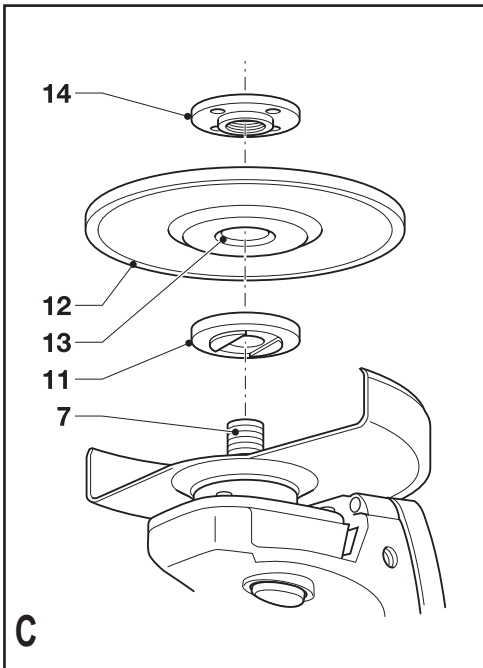
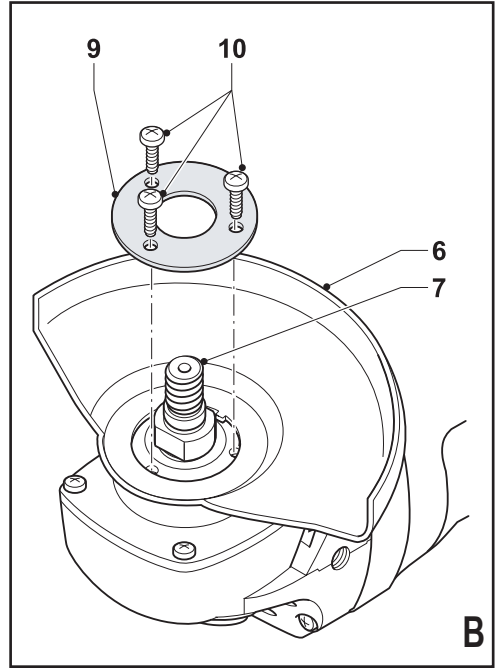
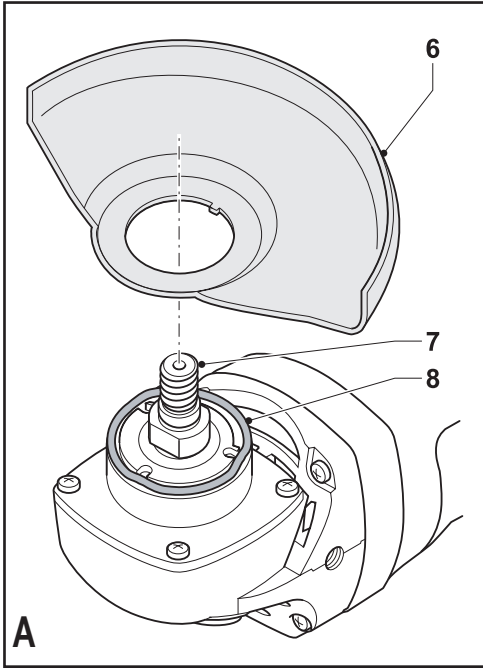
STANLEY®

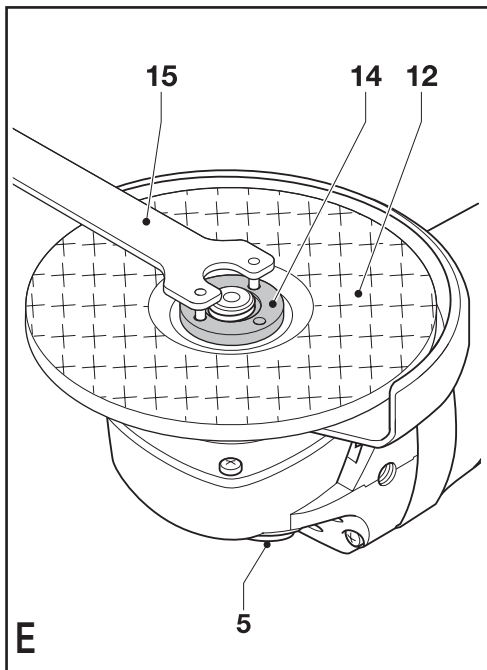
FATMAX®



www.stanley.eu

FMEG222





Intended use

Your Stanley Fat Max FMEG222 angle grinder has been designed for grinding and cutting metal and masonry using the appropriate type of cutting or grinding disc. When fitted with the appropriate guard, this tool is intended for professional and private, non professional users.

Safety instructions

General power tool safety warnings

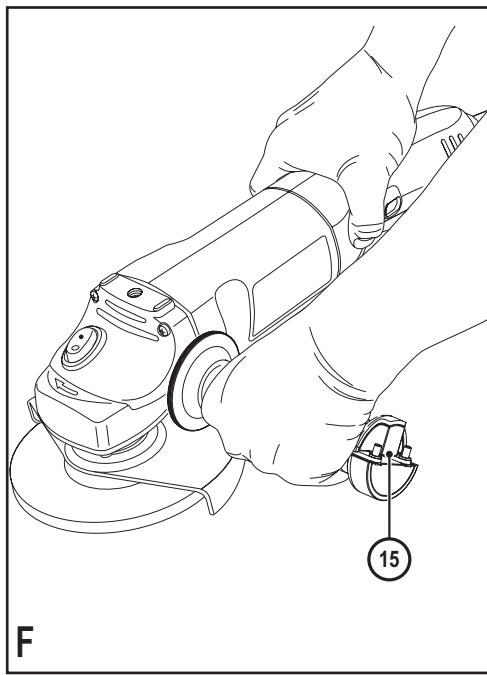


Warning! Read all safety warnings and all instructions. Failure to follow the warnings and instructions listed below may result in electric shock, fire and/or serious injury.

Save all warnings and instructions for future reference.

The term "power tool" in all of the warnings listed below refers to your mains operated (corded) power tool or battery operated (cordless) power tool.

1. **Work area safety**
 - a. **Keep work area clean and well lit.** Cluttered or dark areas invite accidents.
 - b. **Do not operate power tools in explosive atmospheres, such as in the presence of flammable liquids, gases or dust.** Power tools create sparks which may ignite the dust or fumes.
 - c. **Keep children and bystanders away while operating a power tool.** Distractions can cause you to lose control.
2. **Electrical safety**
 - a. **Power tool plugs must match the outlet. Never modify the plug in any way. Do not use any adapter plugs with earthed (grounded) power tools.** Unmodified plugs and matching outlets will reduce risk of electric shock.
 - b. **Avoid body contact with earthed or grounded surfaces such as pipes, radiators, ranges and refrigerators.** There is an increased risk of electric shock if your body is earthed or grounded.
 - c. **Do not expose power tools to rain or wet conditions.** Water entering a power tool will increase the risk of electric shock.
 - d. **Do not abuse the cord. Never use the cord for carrying, pulling or unplugging the power tool. Keep cord away from heat, oil, sharp edges or moving parts.** Damaged or entangled cords increase the risk of electric shock.
 - e. **When operating a power tool outdoors, use an extension cord suitable for outdoor use.** Use of a cord suitable for outdoor use reduces the risk of electric shock.
 - f. **If operating a power tool in a damp location is unavoidable, use a residual current device (RCD)**



protected supply. Use of an RCD reduces the risk of electric shock.

3. Personal safety

- a. **Stay alert, watch what you are doing and use common sense when operating a power tool. Do not use a power tool while you are tired or under the influence of drugs, alcohol or medication.** A moment of inattention while operating power tools may result in serious personal injury.
- b. **Use personal protective equipment. Always wear eye protection.** Protective equipment such as dust mask, non-skid safety shoes, hard hat, or hearing protection used for appropriate conditions will reduce personal injuries.
- c. **Prevent unintentional starting. Ensure the switch is in the off-position before connecting to power source and/or battery pack, picking up or carrying the tool.** Carrying power tools with your finger on the switch or energising power tools that have the switch on invites accidents.
- d. **Remove any adjusting key or wrench before turning the power tool on.** A wrench or a key left attached to a rotating part of the power tool may result in personal injury.
- e. **Do not overreach. Keep proper footing and balance at all times.** This enables better control of the power tool in unexpected situations.
- f. **Dress properly. Do not wear loose clothing or jewellery. Keep your hair, clothing and gloves away from moving parts.** Loose clothes, jewellery or long hair can be caught in moving parts.
- g. **If devices are provided for the connection of dust extraction and collection facilities, ensure these are connected and properly used.** Use of dust collection can reduce dust-related hazards.

4. Power tool use and care

- a. **Do not force the power tool. Use the correct power tool for your application.** The correct power tool will do the job better and safer at the rate for which it was designed.
- b. **Do not use the power tool if the switch does not turn it on and off.** Any power tool that cannot be controlled with the switch is dangerous and must be repaired.
- c. **Disconnect the plug from the power source and/or the battery pack from the power tool before making any adjustments, changing accessories, or storing power tools.** Such preventive safety measures reduce the risk of starting the power tool accidentally.
- d. **Store idle power tools out of the reach of children and do not allow persons unfamiliar with the power tool or**

these instructions to operate the power tool. Power tools are dangerous in the hands of untrained users.

- e. **Maintain power tools. Check for misalignment or binding of moving parts, breakage of parts and any other condition that may affect the power tools operation. If damaged, have the power tool repaired before use.** Many accidents are caused by poorly maintained power tools.
 - f. **Keep cutting tools sharp and clean.** Properly maintained cutting tools with sharp cutting edges are less likely to bind and are easier to control.
 - g. **Use the power tool, accessories and tool bits etc. in accordance with these instructions, taking into account the working conditions and the work to be performed.** Use of the power tool for operations different from those intended could result in a hazardous situation.
- ### 5. Service
- a. **Have your power tool serviced by a qualified repair person using only identical replacement parts.** This will ensure that the safety of the power tool is maintained.

Additional power tool safety warnings



Warning! Additional safety warnings Common for Grinding, Sanding, Wire Brushing, Polishing or Abrasive Cutting-Off Operations:

- ◆ **This power tool is intended to function as a grinder, sander, wire brush, polisher or cut-off tool. Read all safety warnings, instructions, illustrations and specifications provided with this power tool.** Failure to follow all instructions listed below may result in electric shock, fire and/or serious injury.
- ◆ **Operations such as polishing or cutting-off are not recommended to be performed with this power tool.** Operations for which the power tool was not designed may create a hazard and cause personal injury.
- ◆ **Do not use accessories which are not specifically designed and recommended by the tool manufacturer.** Just because the accessory can be attached to your power tool, it does not assure safe operation.
- ◆ **The rated speed of the accessory must be at least equal to the maximum speed marked on the power tool.** Accessories running faster than their rated speed can break and fly apart.
- ◆ **The outside diameter and the thickness of your accessory must be within the capacity rating of your power tool.** Incorrectly sized accessories cannot be adequately guarded or controlled.
- ◆ **Threaded mounting of accessories must match the grinder spindle thread.**

For accessories mounted by flanges, the arbour hole of the accessory must fit the locating diameter of the flange.

Accessories that do not match the mounting hardware of the power tool will run out of balance, vibrate excessively and may cause loss of control.

- ◆ **Do not use a damaged accessory. Before each use inspect the accessory such as abrasive wheels for chips and cracks, backing pad for cracks, tear or excess wear, wire brush for loose or cracked wires. If power tool or accessory is dropped, inspect for damage or install an undamaged accessory. After inspecting and installing an accessory and run the power tool at maximum no-load speed for one minute.** Damaged accessories will normally break apart during this test time.
- ◆ **Wear personal protective equipment. Depending on application, use face shield, safety goggles or safety glasses. As appropriate, wear dust mask, hearing protectors, gloves and workshop apron capable of stopping small abrasive or workpiece fragments.** The eye protection must be capable of stopping flying debris generated by various operations. The dust mask or respirator must be capable of filtering particles generated by your operation. Prolonged exposure to high intensity noise may cause hearing loss.
- ◆ **Keep bystanders a safe distance away from work area. Anyone entering the work area must wear personal protective equipment.** Fragments of workpiece or of a broken accessory may fly away and cause injury beyond immediate area of operation.
- ◆ **Hold power tool by insulated gripping surfaces only, when performing an operation where the cutting accessory may contact hidden wiring or its own cord.** Cutting accessory contacting a "live" wire may make exposed metal parts of the power tool "live" and give the operator an electric shock.
- ◆ **Use clamps or another practical way to secure and support the workpiece to a stable platform.** Holding the work by hand or against your body leaves it unstable and may lead to loss of control.
- ◆ **Position the cord clear of the spinning accessory.** If you lose control, the cord may be cut or snagged and your hand or arm may be pulled into the spinning accessory.
- ◆ **Never lay the power tool down until the accessory has come to a complete stop.** The spinning accessory may grab the surface and pull the power tool out of your control.
- ◆ **Do not run the power tool while carrying it at your side.** Accidental contact with the spinning accessory could snag your clothing, pulling the accessory into your body.
- ◆ **Regularly clean the power tool's air vents.** The motor's

fan will draw the dust inside the housing and excessive accumulation of powdered metal may cause electrical hazards.

- ◆ **Do not operate the power tool near flammable materials.** Sparks could ignite these materials.
- ◆ **Do not use accessories that require liquid coolants.** Using water or other liquid coolants may result in electrocution or shock.

Note: The above warning does not apply for power tools specifically designed for use with a liquid system.

Kickback and related warnings

Kickback is a sudden reaction to a pinched or snagged rotating wheel, backing pad, brush or any other accessory. Pinching or snagging causes rapid stalling of the rotating accessory which in turn causes the uncontrolled power tool to be forced in the direction opposite of the accessory's rotation at the point of the binding.

For example, if an abrasive wheel is snagged or pinched by the workpiece, the edge of the wheel that is entering into the pinch point can dig into the surface of the material causing the wheel to climb out or kick out. The wheel may either jump toward or away from the operator, depending on direction of the wheel's movement at the point of pinching. Abrasive wheels may also break under these conditions.

Kickback is the result of power tool misuse and/or incorrect operating procedures or conditions and can be avoided by taking proper precautions as given below.

- ◆ **Maintain a firm grip on the power tool and position your body and arm to allow you to resist kickback forces.** Always use auxiliary handle, if provided, for maximum control over kickback or torque reaction during start-up. The operator can control torque reactions or kickback forces, if proper precautions are taken.
- ◆ **Never place your hand near the rotating accessory.** Accessory may kickback over your hand.
- ◆ **Do not position your body in the area where power tool will move if kickback occurs.** Kickback will propel the tool in direction opposite to the wheel's movement at the point of snagging.
- ◆ **Use special care when working corners, sharp edges etc. Avoid bouncing and snagging the accessory.** Corners, sharp edges or bouncing have a tendency to snag the rotating accessory and cause loss of control or kickback.
- ◆ **Do not attach a saw chain woodcarving blade or toothed saw blade.** Such blades create frequent kickback and loss of control.

Safety warnings specific for grinding and abrasive cutting-off operations

- ◆ **Use only wheel types that are recommended for your power tool and the specific guard designed for the selected wheel.** Wheels for which the power tool was not designed cannot be adequately guarded and are unsafe.
- ◆ **The grinding surface of centre depressed wheels must be mounted below the plane of the guard lip.** An improperly mounted wheel that projects through the plane of the guard lip cannot be adequately protected.
- ◆ **The guard must be securely attached to the power tool and positioned for maximum safety, so the least amount of wheel is exposed towards the operator.** The guard helps to protect the operator from broken wheel fragments, accidental contact with wheel and sparks that could ignite clothing.
- ◆ **Wheels must be used only for recommended applications. For example: do not grind with the side of cut-off wheel.** Abrasive cut-off wheels are intended for peripheral grinding, side forces applied to these wheels may cause them to shatter.
- ◆ **Always use undamaged wheel flanges that are of correct size and shape for your selected wheel.** Proper wheel flanges support the wheel thus reducing the possibility of wheel breakage. Flanges for cut-off wheels may be different from grinding wheel flanges.
- ◆ **Do not use worn down wheels from larger power tools.** Wheel intended for larger power tool is not suitable for the higher speed of a smaller tool and may burst.

Additional safety warnings specific for abrasive cutting-off operations

- ◆ **Do not "jam" the cut-off wheel or apply excessive pressure. Do not attempt to make an excessive depth of cut.** Over stressing the wheel increases the loading and susceptibility to twisting or binding of the wheel in the cut and the possibility of kickback or wheel breakage.
- ◆ **Do not position your body in line with and behind the rotating wheel.** When the wheel, at the point of operation, is moving away from your body, the possible kickback may propel the spinning wheel and the power tool directly at you.
- ◆ **When wheel is binding or when interrupting a cut for any reason, switch off the power tool and hold the power tool motionless until the wheel comes to a complete stop. Never attempt to remove the cut-off wheel from the cut while the wheel is in motion otherwise kickback may occur.** Investigate and take corrective action to eliminate the cause of wheel binding.
- ◆ **Do not restart the cutting operation in the workpiece. Let the wheel reach full speed and carefully re-enter the cut.**

The wheel may bind, walk up or kickback if the power tool is restarted in the workpiece.

- ◆ **Support panels or any oversized workpiece to minimize the risk of wheel pinching and kickback.** Large workpieces tend to sag under their own weight. Supports must be placed under the workpiece near the line of cut and near the edge of the workpiece on both sides of the wheel.
- ◆ **Use extra caution when making a "pocket cut" into existing walls or other blind areas.** The protruding wheel may cut gas or water pipes, electrical wiring or objects that can cause kickback.

Safety of others

- ◆ This appliance is not intended for use by persons (including children) with reduced physical, sensory or mental capabilities, or lack of experience and knowledge, unless they have been given supervision or instruction concerning use of the appliance by a person responsible for their safety.
- ◆ Children should be supervised to ensure that they do not play with the appliance.

Residual risks

Additional residual risks may arise when using the tool which may not be included in the enclosed safety warnings. These risks can arise from misuse, prolonged use etc. Even with the application of the relevant safety regulations and the implementation of safety devices, certain residual risks can not be avoided. These include:

- ◆ Injuries caused by touching any rotating/moving parts.
- ◆ Injuries caused when changing any parts, blades or accessories.
- ◆ Injuries caused by prolonged use of a tool. When using any tool for prolonged periods ensure you take regular breaks.
- ◆ Impairment of hearing.
- ◆ Health hazards caused by breathing dust developed when using your tool (example:- working with wood, especially oak, beech and MDF.)

Vibration

The declared vibration emission values stated in the technical data and the declaration of conformity have been measured in accordance with a standard test method provided by EN 60745 and may be used for comparing one tool with another. The declared vibration emission value may also be used in a preliminary assessment of exposure.

Warning! The vibration emission value during actual use of the power tool can differ from the declared value depending on the ways in which the tool is used. The vibration level may increase above the level stated.

When assessing vibration exposure to determine safety measures required by 2002/44/EC to protect persons regularly using power tools in employment, an estimation of vibration exposure should consider, the actual conditions of use and the way the tool is used, including taking account of all parts of the operating cycle such as the times when the tool is switched off and when it is running idle in addition to the trigger time.

Voltage drops

Inrush currents cause short-time voltage drops. Under unfavourable power supply conditions, other equipment may be affected. If the system impedance of the power supply is lower than 0.424 Ω , disturbances are unlikely to occur.

Labels on tool

The following pictograms, along with the date code, are shown on the tool:



Warning! To reduce the risk of injury, the user must read the instruction manual.



Wear safety glasses or goggles when operating this tool.



Wear ear protection when operating this tool

Electrical safety



Your charger is double insulated; therefore no earth wire is required. Always check that the mains voltage corresponds to the voltage on the rating plate.

- ◆ If the supply cord is damaged, it must be replaced by the manufacturer or an authorised Stanley Fat Max Service Centre in order to avoid a hazard.

Features

This tool includes some or all of the following features.

1. On/off switch
2. Lock-off button
3. Lock-on button
4. Side handle
5. Spindle lock
6. Guard

Assembly

Warning! Before assembly, make sure that the tool is switched off and unplugged.

Fitting and removing the guard (fig. A & B)

The tool is supplied with a guard intended for grinding purposes only. If the unit is intended to perform cutting off operations, a guard specific for this operation must be fitted. A suitable guard for cutting off operations part number 1004484-01 is available and can be obtained from Stanley Fat Max service centres.

Fitting

- ◆ Place the tool on a table, with the spindle (7) facing up.
- ◆ Place the spring washer (8) over the spindle and locate it on the shoulder.
- ◆ Place the guard (6) onto the tool as shown.
- ◆ Place the flange (9) over the spindle with the protruding pins towards the guard. Make sure that the holes in the flange align with the screw holes.
- ◆ Secure the flange with the screws (10). Make sure that the screws are fully tight and that the guard can be rotated.

Removing

- ◆ Use a screwdriver to remove the screws (10).
 - ◆ Remove the flange (9), guard (6) and spring washer (8). Store these parts carefully.
- Warning!** Never use the tool without the guard.

Adjusting the guard

- The guard can be rotated 90°.
- ◆ Rotate the guard as required.

Fitting the side handle

- ◆ Screw the side handle (4) into one of the mounting holes in the tool.
- Warning!** Always use the side handle.

Fitting and removing grinding or cutting discs (Fig. C - E)

Always use the correct type of disc for your application. Always use discs with the correct diameter and bore size (see technical data).

Fitting

- ◆ Fit the guard as described above.
- ◆ Place the inner flange (11) onto the spindle (7) as shown (fig. C). Make sure that the flange is correctly located on the flat sides of the spindle.
- ◆ Place the disc (12) onto the spindle (7) as shown (fig. C). If the disc has a raised centre (13), make sure that the raised centre faces the inner flange.
- ◆ Make sure that the disc locates correctly on the inner flange.
- ◆ Place the outer flange (14) onto the spindle. When fitting a grinding disc, the raised centre on the outer flange must face towards the disc (A in fig. D). When fitting a cutting

disc, the raised centre on the outer flange must face away from the disc (B in fig. D).

- ◆ Keep the spindle lock (5) depressed and tighten the outer flange using the two-pin spanner (15) (fig. E).

Removing

- ◆ Keep the spindle lock (5) depressed and loosen the outer flange (14) using the two-pin spanner (15) (fig. E).
- ◆ Remove the outer flange (14) and the disc (12).

Use

Warning! Let the tool work at its own pace. Do not overload.

- ◆ Carefully guide the cable in order to avoid accidentally cutting it.
- ◆ Be prepared for a stream of sparks when the grinding or cutting disc touches the workpiece.
- ◆ Always position the tool in such a way that the guard provides optimum protection from the grinding or cutting disc.

Switching on and off

- ◆ To switch the tool on, press the lock-off button (2) and subsequently press the on/off switch (1).
- ◆ For continuous operation, press the lock-on button (3) and release the on/off switch.
- ◆ To switch the tool off, release the on/off switch. To switch the tool off in continuous operation, press the on/off switch once more and release it.

Warning! Do not switch the tool off while under load.

Soft Start Feature

The soft start feature allows a slow speed build-up to avoid an initial jerk when starting. This feature is particularly useful when working in confined spaces.

No-Volt

The No-volt function stops the grinder restarting without the switch being cycled if there is a break in the power supply.

Hints for optimum use

- ◆ Firmly hold the tool with one hand around the side handle and the other hand around the main handle (fig. F).
- ◆ When grinding, always maintain an angle of approx. 15° between the disc and the workpiece surface.

Maintenance

Your Stanley Fat Max corded/cordless appliance/tool has been designed to operate over a long period of time with a minimum of maintenance. Continuous satisfactory operation depends upon proper tool care and regular cleaning.

Warning! Before performing any maintenance on corded/

cordless power tools:

- ◆ Switch off and unplug the appliance/tool.
 - ◆ Or switch off and remove the battery from the appliance/tool if the appliance/tool has a separate battery pack,
 - ◆ Or run the battery down completely if it is integral and then switch off.
 - ◆ Unplug the charger before cleaning it. Your charger does not require any maintenance apart from regular cleaning.
 - ◆ Regularly clean the ventilation slots in you appliance/tool/charger using a soft brush or dry cloth.
 - ◆ Regularly clean the motor housing using a damp cloth.
- Do not use any abrasive or solvent-based cleaner.
- ◆ Regularly open the chuck and tap it to remove any dust from the interior (when fitted).

Mains plug replacement (U.K. & Ireland only)

If a new mains plug needs to be fitted:

- ◆ Safely dispose of the old plug.
- ◆ Connect the brown lead to the live terminal in the new plug.
- ◆ Connect the blue lead to the neutral terminal.

Warning! No connection is to be made to the earth terminal.

Follow the fitting instructions supplied with good quality plugs. Recommended fuse: 13 A.

Protecting the environment



Separate collection. Products and batteries marked with this symbol must not be disposed of with normal household waste.

Products and batteries contain materials that can be recovered or recycled reducing the demand for raw materials. Please recycle electrical products and batteries according to local provisions.

Technical data

		FMEG222 Type 1
Input voltage	V _{AC}	230
Power input	W	1200
Rated speed	min ⁻¹	11000
Disc diameter	mm	125
Disc bore	mm	22
Max disc thickness		
Grinding discs	mm	6
Cutting discs	mm	3.5
Spindle size		M14
Weight	Kg	2.7

Level of sound pressure according to EN 60745:Sound pressure (L_{pA}) 91 dB(A), uncertainty (K) 3 dB(A)acoustic power (L_{WA}) 102 dB(A), uncertainty (K) 3 dB(A)**Vibration total values (triax vector sum) according to EN 60745:**Surface grinding ($a_{h,SG}$) 8.2 m/s², uncertainty (K) 1.5 m/s²**EC declaration of conformity**
MACHINERY DIRECTIVE

FMEG222 Angle grinder

Stanley Europe declares that these products described under "technical data" are in compliance with:

2006/42/EC, EN60745-1:2009 +A11:2010; EN60745-2-3:2011+A2:2012

+A11:2014+A12:2014+A13:2015

These products also comply with Directive 2006/42/EC, 2014/30/EU 2011/65/EU.

For more information, please contact Stanley Europe at the following address or refer to the back of the manual.

The undersigned is responsible for compilation of the technical file and makes this declaration on behalf of Stanley Europe.

A. Smith

Technical Director

Stanley Fat Max Europe, 210 Bath Road, Slough,
Berkshire, SL1 3YD, United Kingdom

15/01/2019

Guarantee

Stanley Fat Max is confident of the quality of its products and offers consumers a 12 month guarantee from the date of purchase. This guarantee is in addition to and in no way prejudices your statutory rights. The guarantee is valid within the territories of the Member States of the European Union and the European Free Trade Area.

To claim on the guarantee, the claim must be in accordance with Stanley Fat Max Terms and Conditions and you will need to submit proof of purchase to the seller or an authorised repair agent. Terms and conditions of the Stanley Fat Max 1 year guarantee and the location of your nearest authorised repair agent can be obtained on the Internet at www.2helpU.

com, or by contacting your local Stanley Fat Max office at the address indicated in this manual.

Please visit our website www.blackanddecker.co.uk to register your new Stanley Fat Max product and receive updates on new products and special offers.

Назначение

Угловая шлифмашина Stanley Fat Max FMEG222 предназначена для отрезных и шлифовальных работ по металлу и кирпичной кладке с помощью соответствующих отрезных или шлифовальных дисков. При условии установки соответствующего защитного кожуха данный инструмент предназначен как для профессионального, так и частного, непрофессионального использования.

Правила техники безопасности

Общие правила безопасности при работе с электроинструментом



Осторожно! Полностью прочтите инструкции по технике безопасности и все руководства по эксплуатации. Несоблюдение представленных ниже предупреждений и инструкций может привести к поражению электрическим током, возгоранию и/или тяжелым травмам.

Сохраните все инструкции для последующего обращения к ним. Термин «электроинструмент» во всех приведенных ниже предупреждениях относится к питаемому от электросети (проводному) или от аккумуляторных батарей (беспроводному) электроинструменту.

1. Безопасность на рабочем месте

- a. **Содержите рабочее место в чистоте и обеспечьте его хорошую освещенность.** Захламление или плохое освещение рабочего места может стать причиной несчастного случая.
- b. **Не используйте электроинструмент во взрывоопасной атмосфере, например, при наличии горючих жидкостей, газов или пыли.** Искры, возникающие при работе электроинструмента, могут привести к воспламенению пыли или паров.
- c. **Не разрешайте детям и посторонним лицам находиться рядом с вами во время работы с электроинструментом.** Отвлекаясь от работы, вы можете потерять контроль над инструментом.

2. Электробезопасность

- a. **Сетевые вилки электроинструмента должны соответствовать розеткам. Никогда не меняйте штепсельную вилку инструмента. Запрещается использовать переходники к вилкам для электроинструментов с заземлением.** Сохранение вилки инструмента в неизменном виде и совпадение типов вилки и розетки питания снижает вероятность

поражения электрическим током.

- b. **Следует избегать контакта с заземленными поверхностями, такими как трубы, радиаторы, батареи и холодильники.** Если вы будете заземлены, увеличивается риск поражения электрическим током.
 - c. **Не допускайте нахождения электроинструментов под дождем или в условиях повышенной влажности.** При попадании воды в электроинструмент, риск поражения электрическим током возрастает.
 - d. **Бережно обращайтесь с кабелем питания. Никогда не используйте кабель для переноски электроинструмента, не тяните за него, пытайтесь отключить инструмент от сети. Держите кабель подальше от источников тепла, масла, острых углов или движущихся предметов.** Поврежденный или запутанный кабель питания повышает риск поражения электротоком.
 - e. **При работе с электроинструментом вне помещения необходимо пользоваться удлинителем, рассчитанным на эксплуатацию в соответствующих условиях.** Использование удлинителя, предназначенного для использования вне помещения, снижает риск поражения электрическим током.
 - f. **При необходимости эксплуатации электроинструмента в местах с повышенной влажностью, используйте устройство защитного отключения (УЗО).** Применение УЗО снижает опасность поражения электрическим током.
- #### 3. Индивидуальная безопасность
- a. **При работе с электроинструментом сохраняйте бдительность, действуйте внимательно и руководствуйтесь здравым смыслом. Не работайте с электроинструментом, если вы устали, находитесь в состоянии наркотического, алкогольного опьянения или под воздействием лекарственных препаратов.** Сиюминутная невнимательность при работе с электроинструментом может привести к серьезным травмам.
 - b. **Используйте средства индивидуальной защиты. Всегда надевайте защитные очки.** Средства защиты, такие как пылезащитная маска, обувь с нескользящей подошвой, каска и защитные наушники, используемые при работе, уменьшают риск получения травм.
 - c. **Примите меры для предотвращения случайного включения. Перед тем как подключить электроинструмент к источнику питания и/или аккумуляторной батарее, возьмите инструмент или перенести его на другое место, убедитесь, что**

- выключатель находится в положении выключения. Переноска подключенного электроинструмента с пальцем на выключателе или подключение к сети электроинструмента со включенным выключателем создает риск несчастных случаев.
- d. **Уберите все регулировочные или гаечные ключи перед включением электроинструмента.** Ключ, оставленный на вращающейся части электроинструмента, может нанести травмы.
 - e. **Не пытайтесь дотянуться до слишком удаленных поверхностей. Всегда твердо стойте на ногах, сохраняя равновесие.** Это позволит лучше контролировать электроинструмент в непредвиденных ситуациях.
 - f. **Надевайте подходящую одежду. Не носите свободную одежду и ювелирные украшения. Следите за тем, чтобы волосы и одежда не попадали под движущиеся детали.** Возможно наматывание элементов одежды, ювелирных изделий и длинных волос на движущиеся детали.
 - g. **При наличии устройств для подключения оборудования для удаления и сбора пыли необходимо обеспечить правильность их подключения и эксплуатации.** Использование пылеуловителя снижает соответствующие риски.
4. **Эксплуатация электроинструмента и уход за ним**
 - a. **Избегайте чрезмерной нагрузки электроинструмента. Используйте электроинструмент в соответствии с назначением.** Правильно подобранный электроинструмент выполнит работу более эффективно и безопасно при стандартной нагрузке.
 - b. **Не используйте электроинструмент с нерабочим выключателем.** Любой электроинструмент, управлять включением и выключением которого невозможно, опасен и должен быть отремонтирован.
 - c. **Перед выполнением любой регулировки, заменой дополнительных принадлежностей или хранением электроинструмента отключите его от сети или извлеките батарею.** Подобные предупредительные меры безопасности позволяют уменьшить опасность непреднамеренного включения инструмента.
 - d. **Храните электроинструмент в недоступном для детей месте и не позволяйте работать с инструментом людям, не имеющим соответствующих навыков работы с такого рода инструментами.** Электроинструмент представляет опасность в руках неопытных пользователей.
 - e. **Проводите обслуживание электроинструментов. Проверьте движущиеся детали на точность совмещения или заклинивание, отсутствие поломок или каких-либо других условий, которые могут повлиять на эксплуатацию электроинструмента. В случае обнаружения повреждений, прежде чем приступить к эксплуатации электроинструмента, его следует отремонтировать.** Большинство несчастных случаев являются следствием пренебрежения уходом за электроинструментом.
 - f. **Содержите режущий инструмент в остро заточенном и чистом состоянии.** Вероятность заклинивания режущего инструмента, за которым следят должным образом и который хорошо заточен, значительно меньше, и работать с ним легче.
 - g. **Используйте данный электроинструмент, а также дополнительные принадлежности и насадки в соответствии с данными инструкциями и с учетом условий и специфики работы.** Использование электроинструмента для работ, для которых он не предназначен, может привести к несчастным случаям.
 5. **Сервисное обслуживание**
 - a. **Обслуживание электроинструмента должно выполняться только квалифицированным техническим персоналом.** Это позволит обеспечить безопасность обслуживаемого электроинструмента.

Дополнительные правила техники безопасности при работе с электроинструментом



Осторожно! Дополнительные меры предосторожности для шлифовки, зачистки, зачистки проволочной щеткой, полировки или абразивной резки:

- ◆ Этот электроинструмент предназначен для заточки, шлифования, зачистки проволочной щеткой, полировки и резания. Прочтите все правила техники безопасности, инструкции, иллюстрации и спецификации по данному электроинструменту. Несоблюдение всех приведенных ниже инструкций может стать причиной поражения электрическим током, возгорания и/или тяжелой травмы.
- ◆ Не рекомендуется выполнять с помощью данного инструмента такие работы как полирование или резка. Выполнение операций, не предусмотренных для данного инструмента, представляет опасность и может привести к травме.
- ◆ Не используйте дополнительные принадлежности, которые не рекомендованы производителем инструмента и не предназначены для него специально. Возможность установки принадлежности на электроинструмент не обеспечивает безопасности при ее использовании.

- ◆ Номинальная скорость принадлежности должна, как минимум, равняться максимальной скорости, указанной на электроинструменте. Принадлежность, которая вращается со скоростью, превышающей ее номинальную скорость вращения, может разрушиться и отлететь в сторону.
- ◆ Внешний диаметр и толщина принадлежности должны соответствовать диапазону мощности электроинструмента. Принадлежности неправильно подобранного размера не закрываются защитным кожухом и не обеспечивают надлежащего контроля управления.
- ◆ Винтовая резьба принадлежностей должна соответствовать резьбе шпинделя шлифовальной машины. Для принадлежностей, устанавливаемых на фланцы, посадочное отверстие должно соответствовать установочному диаметру фланца. Принадлежности, которые не подходят к монтажной арматуре электроинструмента, работают несбалансированно, слишком сильно вибрируют и могут привести к потере контроля.
- ◆ Не используйте поврежденные принадлежности. Перед каждым использованием проверяйте принадлежность, как то: абразивные круги — на наличие сколов и трещин, диск-подшву — на наличие надрывов, трещин или чрезмерного износа, проволочные щетки — на наличие ослабленной или сломанной проволоки. В случае падения электроинструмента или принадлежности убедитесь, что она не была повреждена, или установите неповрежденную принадлежность. После проверки и установки принадлежности запустите электроинструмент на максимальной скорости без нагрузки и дайте ему поработать одну минуту. Поврежденные принадлежности, как правило, ломаются в течение этого тестового периода.
- ◆ Используйте средства индивидуальной защиты. В зависимости от типа выполняемых работ надевайте щиток для защиты лица или защитные очки. По мере необходимости надевайте пылезащитную маску, защитные наушники, перчатки и рабочий фартук, способный защитить от мелких абразивных частиц и фрагментов обрабатываемой детали. Средства защиты для глаз должны останавливать частицы, вылетающие при выполнении различных видов работ. Пылезащитная маска или респиратор должны обеспечивать фильтрацию твердых частиц, образующихся при выполнении работ. Длительное воздействие шума высокой мощности может привести к нарушениям слуха.
- ◆ Не подпускайте посторонних лиц близко к рабочему месту. Любое лицо, входящее в рабочую зону, должно использовать средства индивидуальной защиты. Фрагменты обрабатываемой детали или разрушенной принадлежности могут отлететь в сторону и стать причиной травмы даже за пределами рабочей зоны.
- ◆ Удерживайте электроинструмент во время выполнения работ только за изолированные поверхности захватывания в тех случаях, когда режущая принадлежность может задеть скрытую электропроводку или собственный кабель питания. При удерживании металлических деталей инструмента, в случае перерезания находящегося под напряжением провода произойдет поражение оператора электрическим током.
- ◆ Используйте зажимы или другие уместные средства фиксации заготовки на стабильной опоре. Если держать заготовку руками или упирать в собственное тело, то можно потерять контроль над инструментом или заготовкой.
- ◆ Располагайте кабель питания на удалении от вращающейся принадлежности. В случае потери контроля над инструментом кабель питания может быть разрезан или ободран, а ваша рука может быть затянута вращающейся принадлежностью.
- ◆ Никогда не кладите электроинструмент, пока он полностью не остановится. Вращающаяся принадлежность может задеть за поверхность, из-за чего электроинструмент может вырваться из рук.
- ◆ Не включайте электроинструмент, если принадлежность направлена на вас. Случайный контакт с вращающейся принадлежностью может привести к наматыванию одежды и контакту принадлежности с вашим телом.
- ◆ Регулярно очищайте вентиляционные отверстия электроинструмента. Вентилятор электродвигателя затягивает пыль внутрь корпуса, а скопление большого количества пыли на металлических частях электродвигателя повышает риск поражения электротоком.
- ◆ Не используйте электроинструмент рядом с горючими материалами. Искры могут привести к их воспламенению.
- ◆ Не используйте принадлежности, требующие жидкостного охлаждения. Использование воды или других жидких охлаждающих средств может привести к поражению электрическим током вплоть до смертельного исхода.

Примечание. Предупреждение выше не относится к электроинструментам, специально предназначенным для использования с водной системой.

Обратный удар и меры по его предотвращению

Обратный удар представляет собой внезапную реакцию в результате заклинивания или деформации вращающегося круга, диска-подшвы, щетки или любых других дополнительных принадлежностей. Заклинивание или деформация вызывают мгновенную остановку вращающейся принадлежности, что, в свою очередь, приводит к потере управления инструментом и резкому смещению инструмента в сторону, противоположную направлению вращения принадлежности в точке заклинивания.

Например, в случае заклинивания или деформации абразивного круга в обрабатываемой детали, заклинивающий край круга может врезаться в поверхность материала, что приводит к поднятию или выталкиванию круга. Круг может отскочить в сторону оператора или в другом направлении, в зависимости от направления вращения круга в точке заклинивания. Это может также привести к поломке абразивных кругов.

Обратный удар является результатом неправильного использования инструмента и/или использованием неправильных методов или режимов работы; избежать этого явления можно путем выполнения указанных далее мер предосторожности.

- ◆ **Прочно удерживайте электроинструмент обеими руками и располагайтесь таким образом, чтобы иметь возможность погасить энергию обратного удара. Для эффективного управления инструментом в случае возникновения обратного удара или реактивного крутящего момента во время запуска всегда пользуйтесь вспомогательной рукояткой, если таковая имеется.** Оператор может контролировать энергию крутящего момента или обратного удара при соблюдении надлежащих мер предосторожности.
- ◆ **Никогда не держите руки поблизости от вращающейся принадлежности.** Она может отскочить в направлении вашей руки.
- ◆ **Не стойте с той стороны, куда будет сдвигаться электроинструмент в случае возникновения обратного удара.** В результате обратного удара инструмент отскакивает в направлении, противоположном вращению круга в точке заклинивания.
- ◆ **Соблюдайте особую осторожность при обработке углов, острых кромок и т. д. Избегайте дрожания и заклинивания принадлежности.** Углы, острые кромки или дрожание могут вызвать заклинивание принадлежности в заготовке и привести к потере управления в случае возникновения обратного удара.

- ◆ **Не устанавливайте на инструмент круг с пильной цепью для резки по дереву или зубчатый пильный круг.** Такие круги часто вызывают обратный удар и потерю контроля над инструментом.

Меры предосторожности при шлифовании и резке с использованием абразивного круга

- ◆ **Используйте только такие типы кругов, которые рекомендованы для данного электроинструмента, а также специальные кожухи, предназначенные для конкретных кругов.** Круги, не предназначенные для работы с электроинструментом, не могут полностью закрываться кожухом и представлять опасность.
- ◆ **Шлифовальная поверхность кругов с утолщенным центром должна быть ниже поверхности края кожуха.** Невозможно обеспечить надежную защиту при использовании кругов, выступающих за края защитного кожуха.
- ◆ **Кожух должен быть надежно закреплен на электроинструменте и находиться в положении, обеспечивающем максимальную безопасность, чтобы минимально возможная часть круга находилась в одной плоскости с оператором.** Кожух помогает защитить оператора от отколовшихся фрагментов круга и случайного контакта с кругом, а также искр, от которых может загореться одежда.
- ◆ **Используйте круги для выполнения только рекомендованных работ.** Например, не выполняйте шлифование при помощи отрезного круга. Абразивные отрезные круги предназначены для шлифования периферией круга; боковая нагрузка, прилагаемая к таким кругам, может привести к их разрушению.
- ◆ **Всегда используйте исправные фланцы для кругов, размер и форма которых соответствуют конкретному кругу.** Соответствующие фланцы надежно фиксируют круг, что снижает вероятность его поломки. Фланцы для отрезных кругов могут отличаться от фланцев для шлифовальных кругов.
- ◆ **Не используйте сильно изношенные круги от электроинструментов больших размеров.** Круг, предназначенный для электроинструмента больших размеров, не подходит для более высокой скорости, на которой работает инструмент меньшего размера, и поэтому может разрушиться.

Дополнительные правила техники безопасности при абразивной резке

- ◆ **Избегайте застревания отрезного круга в заготовке и не прилагайте чрезмерных усилий. Не пытайтесь выполнять разрез слишком большой глубины.** Слишком сильное нажатие на круг увеличивает

нагрузку и возможность его деформации или заклинивания в заготовке, а также возможность возникновения обратного удара или поломки круга.

- ◆ **Не стойте на одной линии с вращающимся кругом и позади него.** Если круг вращается в противоположном от вас направлении, то в случае возникновения обратного удара вращающийся круг и электроинструмент будут направлены непосредственно на вас.
- ◆ **В случае заклинивания круга или прекращения резки по какой-либо причине, выключите электроинструмент и удерживайте его в неподвижном состоянии до полной остановки. Никогда не пытайтесь извлечь круг из разреза, когда он находится в движении. В противном случае, это может привести к возникновению обратного удара.** Выясните причину заклинивания круга и примите надлежащие меры по ее устранению.
- ◆ **Не возобновляйте работу, пока круг находится внутри заготовки. Дождитесь, когда круг наберет полные обороты, и осторожно поместите его в начатый разрез.** В случае заклинивания, круг может подскочить вверх из заготовки или привести к возникновению обратного удара при повторном запуске.
- ◆ **Для снижения риска заклинивания круга и возникновения обратного удара обеспечьте надлежащую опору для длинных панелей или прочих заготовок большого размера.** Заготовки большого размера могут провисать под собственным весом. Опоры необходимо поместить под панель возле линии распила и возле края панели по обеим сторонам круга.
- ◆ **Соблюдайте повышенную осторожность при выполнении врезного пиления стен или в других слепых зонах.** Выступающий круг может случайно перерезать газовые или водопроводные трубы, электрическую проводку, а также предметы, которые могут вызвать отдачу.

Безопасность окружающих

- ◆ Данное устройство не предназначено для использования лицами (включая детей) с ограниченными физическими, сенсорными или ментальными возможностями, а также лицами без достаточного опыта и знаний, если только они не делают этого под руководством лица имеющего соответствующий опыт и отвечающего за их безопасность.
- ◆ Не позволяйте детям играть с данным инструментом.

Остаточные риски

При работе с инструментом возможно возникновение дополнительных остаточных рисков, которые не вошли в описанные здесь правила техники безопасности.

Эти риски могут возникнуть при неправильном или продолжительном использовании инструмента и т. п. Несмотря на соблюдение соответствующих инструкций по технике безопасности и использование предохранительных устройств, некоторые остаточные риски невозможно полностью исключить. К ним относятся:

- ◆ травмы в результате касания вращающихся/движущихся частей.
- ◆ Травмы, которые могут произойти в результате смены деталей, полотен или дополнительных принадлежностей.
- ◆ Травмы, связанные с продолжительным использованием инструмента. При использовании любого инструмента в течение продолжительного периода времени не забывайте делать перерывы.
- ◆ Ухудшение слуха.
- ◆ Ущерб здоровью в результате вдыхания пыли в процессе работы инструментом (например, при обработке древесины, в особенности, дуба, бука и МДФ.)

Вибрация

Заявленные значения вибрации указанные в технических спецификациях и заявлении о соответствии были измерены в соответствии с стандартным методом тестирования EN 60745 и могут быть использованы для сравнения инструментов. Приведенные значения уровня вибрации могут также использоваться для предварительной оценки величины вибрационного воздействия.

Осторожно! Значения вибрационного воздействия при работе с электроинструментом зависят от вида работ, выполняемых данным инструментом, и могут отличаться от заявленных значений. Уровень вибрации может быть выше заявленного.

При оценке уровня вибрации для определения степени безопасности, предусмотренного 2002/44/ЕС для защиты людей, регулярно пользующихся электроинструментом при работе, нужно принимать во внимание уровень вибрации, реальные условия использования и способ использования инструмента, а также учитывать все этапы цикла работы (когда инструмент выключается, когда он работает на холостом ходу, а также время переключения с одного режима на другой).

Перепады напряжения

При бросках тока возникают кратковременные перепады напряжения.

В неблагоприятных условиях подачи питания, это может повлиять на работу другого оборудования.

Если сопротивление источника питания ниже 0,424 Ом, возникновение нарушений маловероятно.

Условные обозначения на инструменте

Помимо кода даты на инструменте имеются следующие знаки:



Осторожно! Во избежание риска получения травм, прочтите руководство по эксплуатации.



При работе с инструментом надевайте защитные очки или маску.



При работе с инструментом надевайте защитные наушники.

Электробезопасность

Ваше зарядное устройство имеет двойную изоляцию, поэтому не требует заземления. Необходимо обязательно убедиться в том, что напряжение источника питания соответствует указанному на паспортной табличке.

- ◆ Во избежание несчастных случаев, замену поврежденного кабеля питания следует выполнять только на заводе-изготовителе или в авторизованном сервисном центре Stanley Fat Max.

Функции

Данный инструмент может содержать все или некоторые из перечисленных ниже составных частей.

1. Пусковой выключатель
2. Кнопка блокировки
3. Кнопка блокировки во включенном состоянии
4. Боковая рукоятка
5. Кнопка блокировки шпинделя
6. Защитный кожух

Сборка

Осторожно! Перед сборкой убедитесь в том, что инструмент выключен и отключен от сети.

Установка и снятие защитного кожуха (рис. А и В)

Инструмент поставляется с защитным кожухом, предназначенным только для шлифовки. Если инструмент используется для выполнения отреза, необходимо установить соответствующий кожух.

Подходящие кожухи для отрезных работ с номером 1004484-01 по каталогу можно приобрести в сервисных центрах Stanley Fat Max.

Установка

- ◆ Установите инструмент на стол, вверх шпинделем (7).
- ◆ Установите пружинную шайбу (8) на шпindel и расположите ее на буртике.
- ◆ Установите защитный кожух (6) на инструмент, как показано на изображении.
- ◆ Установите фланец (9) на шпindel так, чтобы выступающие зубцы были направлены в сторону защитного кожуха. Убедитесь, что отверстия во фланце совпадают с отверстиями для винтов.
- ◆ Закрепите фланец винтами (10). Убедитесь, что винты полностью затянуты и защитный кожух можно вращать.

Снятие

- ◆ Выкрутите винты (10) с помощью отвертки.
- ◆ Снимите фланец (9), защитный кожух (6) и пружинную шайбу (8). Аккуратно храните эти детали.

Осторожно! Никогда не пользуйтесь инструментом без защитного кожуха.

Регулировка защитного кожуха

Защитный кожух можно повернуть на 90°.

- ◆ Поверните кожух в нужное положение.

Установка боковой рукоятки

- ◆ Привинтите боковую рукоятку (4) в одно из монтажных отверстий на инструменте.

Осторожно! Всегда пользуйтесь боковой рукояткой.

Установка и снятие шлифовальных и отрезных дисков (рис. С–Е)

Всегда используйте диски, соответствующие выполняемой операции.

Всегда используйте диски нужного диаметра и размера фиксирующего отверстия (см. технические характеристики).

Установка

- ◆ Установите кожух как описано выше.
- ◆ Установите внутренний фланец (11) на шпindel (7) как показано (рис. С). Убедитесь в том, что фланец правильно установлен на плоских сторонах шпинделя.
- ◆ Установите диск (12) на шпindel (7) как показано на рисунке (рис. D). Если на диске есть приподнятый центр (13), убедитесь в том, что поднятый центр смотрит на внутренний фланец.

- ◆ Убедитесь в том, что диск правильно установлен на внутреннем фланце.
- ◆ Установите внешний фланец (14) на шпindel. При установке шлифовального диска, приподнятый центр внешнего фланца должен смотреть на диск (А на рис. D). При установке отрезного диска, приподнятый центр внешнего фланца должен смотреть на диск (В на рис. D).
- ◆ Удерживайте кнопку блокировки шпинделя (5) в зажатом состоянии и затяните внешний фланец с помощью ключа с двумя штифтами (15) (рис. E).

Снятие

- ◆ Удерживайте кнопку блокировки шпинделя (5) в зажатом состоянии и ослабьте внешний фланец (14) с помощью ключа с двумя штифтами (15) (рис. E).
- ◆ Снимите внешний фланец (14) и диск (12).

Эксплуатация

- Осторожно!** Инструмент должен работать в обычном режиме. Не подвергайте инструмент повышенным нагрузкам.
- ◆ Аккуратно протягивайте кабель, чтобы случайно его не перерезать.
 - ◆ Будьте готовы к потоку искр при шлифовке или при касании отрезного диска рабочей поверхности.
 - ◆ Всегда размещайте инструмент таким образом, чтобы защитный кожух обеспечивал оптимальную защиту при шлифовке или работе с отрезным диском.

Включение и выключение

- ◆ Для включения инструмента нажмите кнопку блокировки пускового выключателя (2), затем нажмите на сам пусковой выключатель (1).
- ◆ При выполнении длительных работ нажмите на кнопку блокировки пускового выключателя во включенном состоянии (3) и отпустите сам выключатель.
- ◆ Чтобы выключить инструмент, отпустите выключатель. Чтобы отключить инструмент в режиме длительной работы, нажмите на выключатель еще раз и отпустите его.

Осторожно! Не выключайте инструмент под нагрузкой.

Функция плавного пуска

Функция плавного пуска позволяет постепенно набирать скорость во избежание резкого толчка при запуске. Эта функция также может быть полезной при работе в ограниченном пространстве.

Защита от отключения при падении напряжения

Функция защиты от отключения при падении напряжения предупреждает повторное включение шлифовальной машины без предварительного отключения при

возобновлении энергоснабжения.

Советы по оптимальному использованию

- ◆ Крепко держите инструмент одной рукой за боковую рукоятку, а другой рукой за основную рукоятку (рис. F).
- ◆ При шлифовке сохраняйте угол в примерно 15° между диском и поверхностью обрабатываемой детали.

Техническое обслуживание

Ваше электрическое/беспроводное устройство/инструмент Stanley Fat Max рассчитано на работу в течение продолжительного времени при минимальном техническом обслуживании. Продолжительность безотказной работы зависит от правильной ухода за инструментом и его регулярной чистки.

Осторожно! Перед выполнением любых работ по обслуживанию проводных/беспроводных инструментов:

- ◆ Выключите устройство/инструмент и отключите его от сети.
- ◆ Или выключите прибор/инструмент и извлеките аккумуляторную батарею, если прибор/инструмент оснащен съемной аккумуляторной батареей.
- ◆ Или полностью выработайте заряд аккумуляторной батареи, если она встроена, и затем выключите инструмент.
- ◆ Перед чисткой зарядного устройства отключите его от источника питания. Зарядное устройство не требует никакого технического обслуживания кроме регулярной чистки.

◆ Регулярно очищайте вентиляционные отверстия зарядного устройства мягкой щеткой или сухой тканевой салфеткой.

◆ Регулярно очищайте корпус двигателя влажной салфеткой.

Не используйте какие-либо абразивные чистящие средства или средства на основе растворителей.

◆ Регулярно открывайте патрон и очищайте его от грязи внутри постукиванием (после установки).

Замена штепсельной вилки (только Великобритания и Ирландия)

Если необходимо установить новую штепсельную вилку:

- ◆ Осторожно снимите старую штепсельную вилку.
- ◆ Подсоедините коричневый провод к терминалу фазы в новой вилке.
- ◆ Подсоедините синий провод к нулевому выводу.

Осторожно! Заземление не требуется.

Соблюдайте инструкции по установке высококачественных штепсельных вилок.

Рекомендованный предохранитель: 13 А.

Защита окружающей среды

Раздельная утилизация. Изделия и аккумуляторные батареи с данным символом на маркировке запрещается утилизировать с обычными бытовыми отходами.

Изделия и аккумуляторные батареи содержат материалы, которые могут быть извлечены или переработаны, снижая потребность в исходном сырье. Пожалуйста, утилизируйте электрические изделия и аккумуляторные батареи в соответствии с местными нормами.

Технические характеристики

		FMEG222 тип 1
Входное напряжение	$V_{\text{перем. тока}}$	230
Потребляемая мощность	Вт	1200
Номинальное количество оборотов	мин ⁻¹	11000
Диаметр диска	мм	125
Диаметр посадочного отверстия	мм	22
Максимальная толщина диска		
Шлифовальные диски	мм	6
Отрезные диски	мм	3,5
Размер шпинделя		M14
Вес	кг	2,7

Уровень акустического давления в соответствии с EN 60745:

Акустическое давление (L_{pA}) 91 дБ(А), погрешность (К) 3 дБ(А)

акустическая мощность (L_{WA}) 102 дБ(А), погрешность (К) 3 дБ(А)

Сумма величин вибрации (сумма векторов по трем осям), измеренных в соответствии со стандартом EN 60745:

Шлифование поверхности ($a_{h,SG}$) 8,2 м/с², погрешность (К) 1,5 м/с²

Заявление о соответствии нормам ЕС
ДИРЕКТИВА ПО МЕХАНИЧЕСКОМУ ОБОРУДОВАНИЮ

FMEG222 Угловая шлифовальная машина

Stanley Europe заявляет, что продукция, описанная в разделе «Технические характеристики» соответствует: 2006/42/EC, EN60745-1:2009 +A11:2010; EN60745-2-3:2011+A2:2012

+A11:2014+A12:2014+A13:2015

Эти продукты также соответствуют Директивам 2006/42/EC, 2014/30/EU 2011/65/EU.

За дополнительной информацией обращайтесь в компанию Stanley Europe по адресу, указанному ниже или приведенному на задней стороне обложки руководства. Нижеподписавшийся несет ответственность за составление технической документации и составил данную декларацию по поручению компании Stanley Europe.

А. Смит (A. Smith)

Технический директор

Stanley Fat Max Europe, 210 Bath Road, Slough, Berkshire, SL1 3YD, Соединенное Королевство

15.01.2019

Гарантия

Stanley Fat Max уверена в качестве своей продукции и предлагает клиентам гарантию на 12 месяцев с момента покупки. Данная гарантия является дополнительной и ни в коей мере не направлена на ущемление Ваших юридических прав. Гарантия действует на территории стран-участниц Европейского союза и в Европейской зоне свободной торговли.

Чтобы подать заявку по гарантии, заявка должна соответствовать положениям и условиям Stanley Fat Max; кроме того, Вам потребуется предъявить продавцу или авторизованному специалисту по ремонту подтверждение покупки. Положения и условия 1-летней гарантии Stanley Fat Max и местонахождение ближайшего авторизованного специалиста по ремонту можно узнать через Интернет по адресу www.2helpU.com, или связавшись с местным представительством Stanley Fat Max по адресу, указанному в данном руководстве.

Посетите наш веб-сайт www.blackanddecker.co.uk, чтобы зарегистрировать свое новое изделие Stanley Fat Max и получать информацию о новинках и специальных предложениях.



Приложение к руководству по эксплуатации электрооборудования для определения месяца производства по номеру текущей календарной недели года

Электрооборудование торговых марок "Dewalt", "Stanley", "Stanley FatMAX", "BLACK+DECKER".

Директивы 2014/30/EU ЕВРОПЕЙСКОГО ПАРЛАМЕНТА И СОВЕТА от 26 февраля 2014 г. "О гармонизации законодательств Государств-членов ЕС в области электромагнитной совместимости", 2006/42/ЕС ЕВРОПЕЙСКОГО ПАРЛАМЕНТА И СОВЕТА от 17 мая 2006 г. "О машинах и оборудовании"; 2014/35/EU ЕВРОПЕЙСКОГО ПАРЛАМЕНТА И СОВЕТА от 26 февраля 2014 г. "О гармонизации законодательств государств-членов в области размещения на рынке электрооборудования, предназначенного для использования в определенных пределах напряжения". Серийный выпуск.

ТОВАР СЕРТИФИЦИРОВАН

Орган по сертификации "РОСТЕСТ- Москва", Адрес: 119049, г. Москва, улица Житная, д. 14, стр. 1; 117418, Москва, Нахимовский просп., 31 (фактический), Телефон: (499) 1292311, (495) 6682893, Факс: (495) 6682893, E-mail: office@rostest.ru

Изготовитель: Изготовитель: Блэк энд Деккер Холдингс ГмбХ, Германия, 65510, Идштайн, ул. Блэк энд Деккер, 40, тел. +496126212790.

Уполномоченное изготовителем юр.лицо:

ООО "Стэнли Блэк энд Деккер", 117485, город Москва, улица Обручева, дом 30/1, строение 2
Телефон: + 7 (495) 258-3981, факс: + 7 (495) 258-3984, E-mail: inbosh@dewalt.com

Сведения о импортере указаны в сопроводительной документации и/или на упаковке

Хранение.

Необходимо хранить в сухом месте, вдали от источников повышенных температур и воздействия солнечных лучей. При хранении необходимо избегать резкого перепада температур. Хранение без упаковки не допускается

Срок службы.

Срок службы изделия составляет 5 лет. Не рекомендуется к эксплуатации по истечении 5 лет хранения с даты изготовления без предварительной проверки.

Дата изготовления (код даты) указана на корпусе инструмента.

Код даты, который также включает год изготовления, оштампован на поверхности корпуса изделия.

Пример:

2014 46 XX, где 2014 – год изготовления, 46-неделя изготовления.

Определить месяц изготовления по указанной неделе изготовления можно согласно приведенной ниже таблице.

Транспортировка.

Категорически не допускается падение и любые механические воздействия на упаковку при транспортировке. При разгрузке/погрузке не допускается использование любого вида техники, работающей по принципу зажима упаковки.

Перечень критических отказов, возможные ошибочные действия персонала.

Не допускается эксплуатация изделия:

- При появлении дыма из корпуса изделия
- При поврежденном и/или оголенном сетевом кабеле
- при повреждении корпуса изделия, защитного кожуха, рукоятки
- при попадании жидкости в корпус
- при возникновении сильной вибрации
- при возникновении сильного искрения внутри корпуса

Критерии предельных состояний.

- При поврежденном и/или оголенном сетевом кабеле
- при повреждении корпуса изделия

Месяц	Январь	Февраль	Март	Апрель	Май	Июнь	Июль	Август	Сентябрь	Октябрь	Ноябрь	Декабрь	Год производства
Неделя	1	5	9	14	18	23	27	31	36	40	44	49	2018
	2	6	10	15	19	24	28	32	37	41	45	50	
	3	7	11	16	20	25	29	33	38	42	46	51	
	4	8	12	17	21	26	30	34	39	43	47	52	
Неделя			13		22			35				48	2019
	1	6	10	14	18	23	27	31	36	40	45	49	
	2	7	11	15	19	24	28	32	37	41	46	50	
	3	8	12	16	20	25	29	33	38	42	47	51	
	4	9	13	17	21	26	30	34	39	43	48	52	
Неделя					22			35		44			2020
	1	6	10	14	19	23	27	32	36	40	45	49	
	2	7	11	15	20	24	28	33	37	41	46	50	
	3	8	12	16	21	25	29	34	38	42	47	51	
	4	9	13	17	22	26	30	35	39	43	48	52	
Неделя				18			31			44			2021
	2	6	10	14	19	23	27	32	36	41	45	49	
	3	7	11	15	20	24	28	33	37	42	46	50	
	4	8	12	16	21	25	29	34	38	43	47	51	
	5	9	13	17	22	26	30	35	39	44	48	52	
Неделя					18				40			1	2022
	2	6	10	15	19	23	28	32	36	41	45	49	
	3	7	11	16	20	24	29	33	37	42	46	50	
	4	8	12	17	21	25	30	34	38	43	47	51	
	5	9	13	18	22	26	31	35	39	44	48	52	
		14				27			40			1	

**STANLEY
FATMAX®**

3 ГОДА ГАРАНТИИ
ТРЕБУЕТСЯ ОНЛАЙН РЕГИСТРАЦИЯ
СТАНДАРТНАЯ ГАРАНТИЯ 1 ГОД
Сторонние услуги гарантированы в форме регистрации на сайте ниже
sfm.stanley.ru

ГАРАНТИЙНЫЕ УСЛОВИЯ

Уважаемый покупатель!

1. Поздравляем Вас с покупкой высококачественного изделия STANLEY FATMAX и выражаем признательность за Ваш выбор.
2. При покупке изделия требуйте проверки его комплектности и исправности в Вашем присутствии. В комплекте с инструментом должна быть инструкция по эксплуатации и гарантийные условия производителя на русском языке. Сохраняйте на весь срок гарантии Ваш документ, удостоверяющий факт покупки изделия. Убедитесь, что в чеке указаны: фискальный номер чека, модель/наименование изделия, дата продажи и название торговой организации, z.
3. Во избежание недоразумений убедительно просим Вас перед началом работы с изделием внимательно ознакомиться с инструкцией по его эксплуатации. Правовой основой настоящих гарантийных условий является действующее Законодательство. Гарантийный срок на данное изделие составляет 12 месяцев* и исчисляется со дня продажи. В случае устранения недостатков изделия гарантийный срок продлевается на период его нахождения в ремонте. Срок службы изделия составляет 5 лет со дня продажи.
4. В случае возникновения каких-либо проблем в процессе эксплуатации изделия рекомендуем Вам обращаться только в упомянутые сервисные центры STANLEY FATMAX, адреса и телефоны которых Вы сможете найти на сайте www.2helplu.com или узнать в магазине. Наши сервисные станции это не только квалифицированный ремонт, но и широкий ассортимент запчастей и принадлежностей.
5. Производитель рекомендует проводить периодическую проверку и техническое обслуживание изделия в уполномоченных сервисных центрах.
6. Наши гарантийные обязательства распространяются только на неисправности, выявленные в течение гарантийного срока и вызванные дефектами материалов или сборки изделия.
7. **Гарантийные условия не распространяются на неисправности изделия, возникшие в результате:**
 - 7.1. Несоблюдения пользователем предписаний инструкции по эксплуатации изделия, применения изделия не по назначению, неправильному хранении, использовании принадлежностей, расходных материалов и запчастей, не предусмотренных производителем.
 - 7.2. Механического повреждения (сколы, трещины и разрушения) внутренних и внешних деталей изделия, основных и вспомогательных рукояток, сетевого электрического кабеля, вызванного внешним ударным или любым иным воздействием.
 - 7.3. Попадания в вентиляционные отверстия и проникновение внутрь



ОБЯЗАТЕЛЬНО СОХРАНИТЕ КАССОВЫЙ ЧЕК

изделия посторонних предметов, материалов или веществ, не являющихся отходами, сопровождающими применение изделия по назначению, такими как: стружка, опилки, песок, и пр.

- 7.4. Воздействий на изделие неблагоприятных атмосферных и иных внешних факторов, таких как дождь, снег, повышенная влажность, нагрев, агрессивные среды, несоответствие параметров питающей электросети, указанных на инструменте.
- 7.5. Стихийного бедствия. Повреждение или утрата изделия, связанное с непредвиденными бедствиями, стихийными явлениями, в том числе вследствие действия непреодолимой силы (пожар, молния, потоп и другие природные явления), а также вследствие перепадов напряжения в электросети и другими причинами, которые находятся вне контроля производителя.

8. Гарантийные условия не распространяются:

- 8.1. На инструменты, подвергавшиеся вскрытию, ремонту или модификации вне уполномоченного сервисного центра.
- 8.2. На детали и узлы, имеющие следы естественного износа, такие как: приводные ремни и колеса, угловые шестки, смазка, подшипники, зубчатое зацепление редукторов, резиновые уплотнения, сальники, направляющие ролики, муфты сцепления, болки, толкатели, столбы, и т.п.
- 8.3. На сменные и расходные части: цанги, зажимные гайки и фланцы, фильтры, ножи, шлифовальные подошвы, цепи, звездочки, пыльные шины, защитные кожухи, пилки, абразивы, пыльные и абразивные диски, фрезы, сверла, буры и т.п.
- 8.4. На неисправности, возникшие в результате перегрузки инструмента (как механической, так и электрической), повлекшей выход из строя одновременно двух и более деталей и узлов, таких как ротора и статора, обеих обмоток статора, ведомой и ведущей шестерни редуктора или других узлов и деталей. К безусловным признакам перегрузки изделия относятся, помимо прочего: появление цветовой побелости, деформация или оплавление деталей и узлов изделия, потемнение или обугливание изоляции проводов электродвигателя под воздействием высокой температуры.

* Зарегистрируйте ваш новый электроинструмент STANLEY FATMAX чтобы получить 3 года гарантии.

- требуется регистрация продукта в течение 4-х недель со дня покупки;
- для регистрации посетите наш сайт sfm.stanley.ru



Горячая линия
8-800-1000-876

Актуальную информацию об обслуживании
в интересующем вас городе вы можете узнать на сайте
service.stanley.ru

- Список авторизованных сервисных центров
- Поиск ближайшего сервисного центра
- Руководство по эксплуатации
- Технические характеристики
- Список деталей и запасных частей
- Схема сборки инструмента

ГАРАНТИЙНОЕ ОБСЛУЖИВАНИЕ

С БЕСПЛАТНОЙ ДОСТАВКОЙ

Теперь вы можете сдать инструмент в сервис, даже если его нет в вашем городе.

Скачать/распечатать инструкцию с сайта

service.stanley.ru



Отметки о проведении сервисного обслуживания

№1	№2	№3	№4
№ заказа	№ заказа	№ заказа	№ заказа
Дата поступления	Дата поступления	Дата поступления	Дата поступления
Дата ремонта	Дата ремонта	Дата ремонта	Дата ремонта
Печать и подпись сервисного центра	Печать и подпись сервисного центра	Печать и подпись сервисного центра	Печать и подпись сервисного центра



ПОДАРОК ЗА ОТЗЫВ*

- 1 Зарегистрируйся на **my.stanley.ru**
- 2 Напиши отзыв о покупке
- 3 Получи подарок на выбор**



*Акция проводится на территории Российской Федерации. Подробные условия акции указаны на **my.stanley.ru**

** Подарок может отличаться от изображенного, актуальный перечень см. на **my.stanley.ru**

Сфера застосування

Ваш кутовий шліфувальний станок FMEG222 виробництва компанії Stanley FatMax розроблений для шліфування та відсікання металу та цегляної кладки за допомогою відповідного ріжучого або шліфувального диска. Ці пристрої призначені для професійних та приватних непрофесійних споживачів за умови забезпечення відповідним захистом.

Інструкції з техніки безпеки

Загальні правила безпеки під час експлуатації електричного інструмента



Увага! Прочитайте всі попередження та інструкції. Невиконання наведених нижче попереджень та інструкцій може призвести до ураження електричним струмом, пожежі та/або серйозних травм.

Зберігайте всі попередження та інструкції для подальшого використання. Термін «електричний інструмент» в усіх попередженнях, перерахованих нижче, стосується використовуваних вами інструментів, що працюють від мережі енергоспоживання (з використанням електричного кабелю) або батарей (без кабелю).

1. Безпека робочої зони

- Робоча зона завжди має бути чистою та добре освітленою.** Невпорядковані й темні робочі зони збільшують імовірність нещасного випадку.
- Не використовуйте електричні інструменти у вибухонебезпечній атмосфері, наприклад у присутності займистих рідин, газів та пилу.** Електричні інструменти створюють іскри, що можуть запалити пил або випаровування.
- Тримайте дітей та сторонніх подалі під час використання інструмента.** Відвернення уваги може призвести до втрати контролю.

2. Електрична безпека

- Вилка електричного інструмента повинна відповідати розетці. Ніколи жодним чином не змінюйте вилку. Не використовуйте адаптери з замкнутими на землю (заземленими) електричними інструментами.** Немодифіковані вилки та розетки, що відповідають їм, зменшують ризик ураження електричним струмом.
- Уникайте контакту тіла із заземленими поверхнями, такими як труби, радіатори, плити та холодильники.** Якщо ваше тіло заземлене, збільшується ризик ураження електричним струмом.

- Не залишайте електричні інструменти під дощем або за умов підвищеної вологості.** Вода, що потрапляє в електричний інструмент, підвищує ризик ураження електричним струмом.
- Не використовуйте кабель живлення не за призначенням. Ніколи не переносьте, не тягніть і не відключайте електричний інструмент від розетки живлення за допомогою шнура.** Тримайте шнур подалі від джерел високих температур, мастила, гострих предметів і рухомих деталей. Пошкоджені або перекручені шнури підвищують ризик ураження електричним струмом.
- Під час експлуатації електричного інструмента на вулиці використовуйте подовжувальний шнур, що призначений для використання поза приміщеннями.** Використання шнура, що призначений для застосування поза приміщенням, знижує ризик ураження електричним струмом.
- Якщо неможливо уникнути використання електричного інструмента за умов підвищеної вологості, використовуйте джерело живлення, захищене пристроєм з керуванням диференційним струмом (RCD).** Використання RCD знижує ризик ураження електричним струмом.

3. Особиста безпека

- Будьте в стані готовності, дивіться, що ви робите, та будьте розсудливі, працюючи з електричним інструментом. Не використовуйте електричний інструмент, коли ви втомлені або перебуваєте під впливом наркотичних речовин, алкоголю або ліків.** Втрата уваги під час роботи з електричним інструментами може призвести до серйозних травм.
- Використовуйте особисті засоби безпеки.** Завжди використовуйте засоби захисту очей. Використання таких засобів індивідуального захисту, як протипилова маска, протиковзна захисне взуття, захисна каска та засоби захисту органів слуху, у відповідних умовах зменшує ризик виникнення травм.
- Уникайте випадкового запуску. Переконайтесь в тому, що вимикач знаходиться в позиції Вимк. перед підключенням до джерела живлення та/або акумулятора, переміщенням або перенесенням пристрою.** Якщо ви переносите інструмент, тримаючи палець на перемикачі, або підключаєте живлення з перемикачем в позиції Увімк., це може призвести до нещасного випадку.
- Зніміть всі налаштувальні ключі або гайкові ключі перед вмиканням електричного інструмента.** Гайковий ключ, що залишився прикріпленим до якоїсь деталі електричного пристрою, що обертається, може призвести до травм.

- e. **Не намагайтесь дотягнутись і працювати у незручному положенні. Завжди утримуйте правильну постановку ніг і рівновагу.** Це дає вам змогу краще контролювати інструмент у неочікуваних ситуаціях.
 - f. **Вдягайте відповідний одяг. Не вдягайте вільний одяг або прикраси. Тримайте ваше волосся, одяг та рукавиці подалі від рухомих деталей.** Вільний одяг, прикраси або довге волосся можуть зачепитися за рухомі деталі.
 - g. **Якщо передбачені пристрої для підключення до засобів виділення та збирання пилу, переконайтеся, що вони правильно підключені та використовуються.** Використання таких пристроїв зменшує ризик виникнення небезпечних ситуацій, що пов'язані з потраплянням пилу.
4. Використання електричного інструмента та догляд за ним
- a. **Не прикладайте надмірних зусиль під час роботи з інструментом. Використовуйте електричний інструмент, який відповідає завданню, що виконується.** Правильно обраний інструмент виконає завдання краще та безпечніше за умов, для яких він був розроблений.
 - b. **Не використовуйте інструмент, вмикач якого не вмикає та не вимикає його.** Будь-який електричний інструмент, який не може управлятися вмикачем, є небезпечним і має бути відремонтований.
 - c. **Відключіть вилку від джерела живлення та/або зніміть акумуляторний блок з електричного інструмента перед тим, як робити будь-які налаштування, змінювати додаткове обладнання чи зберігати електричні інструменти.** Ці профілактичні заходи зменшують ризик випадкового запуску електричного інструмента.
 - d. **Зберігайте вимкнені електричні інструменти подалі від дітей та не дозволяйте особам, що не знайомі з електричним інструментом або цими інструкціями, використовувати електричний інструмент.** Електричні інструменти є небезпечними, якщо вони використовуються некваліфікованими користувачами.
 - e. **Технічне обслуговування електричних інструментів. Перевіряйте несумісність або заїдання рухомих деталей, наявність ушкоджених частин та інших умов, що можуть впливати на роботу електричного інструмента.** Якщо є пошкодження, відремонтуйте електричний інструмент перед використанням. Нещасні випадки часто є результатом того, що інструмент не пройшов відповідного технічного обслуговування.
 - f. **Тримайте ріжучі інструменти гострими та чистими.** Правильно доглянуті різальні інструменти з гострими

різальними кромками мають меншу імовірність заїдання, і ними легше керувати.

- g. **Використовуйте електричний інструмент, приладдя та деталі інструмента тощо у відповідності до цих інструкцій, зважаючи на умови використання та роботу, яка має бути виконана.** Використання електричних інструментів не за призначенням може призвести до виникнення небезпечних ситуацій.

5. Обслуговування

- a. **Передавайте електричний інструмент для обслуговування кваліфікованим спеціалістам з ремонту та використовуйте тільки ідентичні замінні деталі.** Це забезпечить безпеку електричного пристрою.

Додаткові правила безпеки для електричного інструмента



Увага! Додаткові інструкції з техніки безпеки для операцій шліфування, зачищення, очищення дротовими щітками, полірування або абразивного обрізання:

- ◆ **Цей електричний інструмент призначений для шліфування, піскоструминного очищення, очищення за допомогою дротової щітки, полірування та відрізання. Ознайомтеся з усіма попередженнями, інструкціями з техніки безпеки, зображеннями та специфікаціями, які поставляються з цим електричним інструментом.** Невиконання нижченаведених інструкцій може призвести до ураження електричним струмом, пожежі та/або серйозних тілесних ушкоджень.
- ◆ Електроінструмент не рекомендується для виконання таких операцій, як полірування або відрізання. Використання інструменту не за призначенням може бути небезпечним та призвести до особистих травм.
- ◆ **Не використовуйте приладдя, що не було розроблено спеціально для цього інструмента та не рекомендовано виробником.** При експлуатації насадок з швидкістю, що перевищує їх номінальні характеристики, вони можуть зламатися або розлетітися під час роботи з інструментом.
- ◆ **Номінальна швидкість приладдя повинна щонайменше дорівнювати максимальній швидкості, вказаній на електричному інструменті.** Приладдя з більшою швидкістю може зламатися та розлетітися.
- ◆ **Зовнішній діаметр та товщина вашого приладдя повинні знаходитися у рамках характеристики потужності цього електричного інструмента.** Експлуатація насадок невідповідних розмірів не

підлягає належному контролю.

- ◆ **Приладдя з різьбленням повинно відповідати різьбленню шпинделя шліфувального станка. При встановленні приладдя, що кріпиться за допомогою фланців, діаметр отвору в оправці приладдя має відповідати діаметру фланця на інструменті.** Насадки, які не відповідають елементам кріплення електричного інструмента, можуть втрачати контроль.
- ◆ **Не використовуйте пошкоджене приладдя. Перед кожним використанням необхідно оглядати приладдя, наприклад, абразивні диски – на наявність пошкоджень та тріщин, диски-підшови – на наявність тріщин або надмірний знос, дротову щітку – на порив дротів чи тріщини.** Якщо електричний інструмент або приладдя падали, необхідно оглянути їх на пошкодження та встановити приладдя без дефектів. Після огляду та встановлення аксесуару запустіть інструмент на максимальній швидкості без навантаження на одну хвилину. Пошкоджені насадки звичайно зламаються під час такого запуску.
- ◆ **Використовуйте особисті засоби безпеки. В залежності від способу застосування використовуйте захисний щиток, захисні окуляри або захисну маску. За необхідності використовуйте протипилову маску, засоби захисту органів слуху, рукавиці або робочий фартух, що захистять вас від маленьких фрагментів абразиву або заготовки.** Засоби захисту очей захистять вас від летючих уламків, що можуть утворитися під час виконання певних видів роботи. Протипилова маска або респіратор повинні фільтрувати частинки, що утворюються під час роботи. Тривалий вплив інтенсивного шуму може призвести до втрати слуху.
- ◆ **Сторонні особи повинні перебувати подалі від робочої зони. Всі особи, що входять до робочої зони, повинні використовувати особисті засоби безпеки.** Фрагменти заготовки або уламки насадки можуть відлетіти від оброблювальної ділянки та призвести до травмування, включаючи позаробочу зону.
- ◆ **Тримайте електричний інструмент лише за ізольовану поверхню при виконанні операцій, коли ріжучі насадки можуть торкнутися проводки або власного кабелю.** Ріжучі елементи при контактi з дротом під напругою можуть призвести до появи напруги в інструменті та ураження оператора електричним струмом.
- ◆ **Використовуйте затискачі або інші практичні засоби для закріплення та утримання заготовки на стійкій поверхні.** Утримування заготовки в руці та

притискання її до тіла робить її нестабільною та може призвести до втрати контролю.

- ◆ **Кабель живлення має знаходитися подалі від приладдя, що обертається.** Якщо ви втратите контроль, кабель може розрізатись або зачепитися, а ваша рука чи пальці – доторкнутись до насадки, що обертається.
- ◆ **У жодному разі не кладіть інструмент, доки всі його деталі повністю не зупиняться.** Насадка, що обертається, може захопити поверхню та потягнути електричний інструмент з рук.
- ◆ **Не тримайте увімкнений інструмент біля власного тіла.** Випадковий контакт з насадкою, що обертається, може зачепити одяг, потягнувши інструмент до вашого тіла.
- ◆ **Регулярно очищуйте вентиляційні отвори електричного інструменту.** Вентилятор двигуна буде втягувати пил всередину корпусу, надмірна кількість металевих частинок може призвести до ризику ураження електричним струмом.
- ◆ **Не використовуйте електричний інструмент біля легкозаймистих матеріалів.** Іскри можуть викликати спалах цих матеріалів.
- ◆ **Не використовуйте приладдя, що вимагає рідкого холодоагенту.** Використання води та інших рідких охолоджувачів може призвести до смерті від електричного удару або ураження електричним струмом.

Примітка. Вище наведене попередження не стосується інструментів, що спеціально розроблені для використання з рідкою системою.

Віддача та відповідні попередження

Віддача – це раптова реакція на защемлення або затиснення диска, що обертається, диска-підшови, щітки або будь-якого іншого приладдя. Затиснення або нерівності викликають різке уповільнення швидкості обертання рухомих аксесуарів, що, в свою чергу, викликає відхилення неконтрольованого електричного інструмента в напрямку протилежному напрямку обертання аксесуару в місці зчеплення.

Наприклад, якщо абразивний диск затиснений заготовкою, край диска, що входить у зону затиснення, може увійти в поверхню матеріалу, спричиняючи віддачу диска. При цьому диск відскачить від оператора або на оператора, в залежності від напрямку руху диска в точці заїдання. Абразивні диски також можуть зламатися за цих умов.

Віддача є результатом невправного використання інструмента та/або невправних способів або умов експлуатації, її можна уникнути, вживаючи відповідних заходів, перерахованих нижче.

- ◆ Міцно тримайте електричний інструмент та оберіть положення тіла і рук, яке дозволить протистояти віддачі. Завжди використовуйте додаткову ручку, якщо її передбачено, для максимального контролю віддачі або реактивного крутного моменту під час запуску. Оператор може контролювати реактивний крутий момент або сили віддачі, якщо вжити відповідні заходи.
- ◆ Ніколи не розташовуйте руки біля різальних поверхонь. Віддача насадки може скеровуватись на руку.
- ◆ Не розташовуйте своє тіло в зоні, куди буде рухатись інструмент у разі віддачі. Віддача призведе до руху інструмента в напрямку протилежному руху диска у точці заїдання.
- ◆ Будьте особливо обережні під час обробки кутів, гострих кромки тощо. Уникайте відстрибування та затиснення приладдя. Кути, гострі кромки або відстрибування можуть спричинити затиснення приладдя, що обертається, та призвести до втрати контролю або віддачі.
- ◆ Не прикріплюйте полотно для різьблення ланцюгової пилки чи зубчастого полотна. Такі полотна призводять до частих віддач та втрати контролю.

Попередження з техніки безпеки для операцій шліфування та абразивного відрізання

- ◆ Використовуйте лише ті типи дисків, що рекомендовані для цього електричного інструмента, та спеціальні захисні кожухи, розроблені для обраного диска. Диски, що не призначені для використання з даним електричним інструментом, неможливо відповідно закріпити, тому їх використання може бути небезпечним.
- ◆ Шліфувальна поверхня дисків з опущеним центром повинна знаходитись нижче площини кромки захисного кожуха. Невідповідно встановлений диск, який виступає над площиною кромки захисного кожуху, неможливо належно захистити.
- ◆ Захисний кожух необхідно надійно прикріпити до електричного інструмента та розмістити для максимальної безпеки так, щоб найменша область диска була спрямована на оператора. Захисний кожух допомагає захистити оператора від фрагментів зламаного диска, випадкового контакту з диском та іскор, від яких може спалахнути одяг.
- ◆ Диски повинні використовуватись лише для рекомендованих видів діяльності. Наприклад, не використовуйте бокову сторону різального диска для шліфування. Абразивні різальні диски призначені для шліфування периферійних ділянок, причому бокові

сили, застосовані до цих дисків, можуть їх розкритати.

- ◆ Завжди використовуйте непошкоджені фланці дисків відповідного розміру та форми для обраного диска. Відповідно підібрані фланці диска підтримують диск, знижуючи ймовірність його поломки. Фланці ріжучих дисків можуть відрізатися від фланців шліфувальних дисків.
- ◆ Не використовуйте зношені диски більших електричних інструментів. Диски, призначені для великих електричних інструментів, не придатні для експлуатації з малими інструментами з метою забезпечення більшої швидкості обробки, тому можуть розірватись.

Додаткові попередження з техніки безпеки для операцій абразивного відрізання

- ◆ Не «затискайте» різальний диск та не застосуйте надмірний тиск до інструмента. Не намагайтесь створювати надглибокі розрізи. Надмірний тиск на диск збільшує навантаження і чутливість до заїдання або деформації диска в розрізі та можливість віддачі або поломки диска.
- ◆ Не ставьте в одну лінію з диском, що обертається, або позаду нього. Коли диск в точці роботи рухається від вашого тіла, можлива віддача може штовхнути диск, що обертається, та інструмент на вас.
- ◆ Якщо диск заїдає або при припиненні виконання розрізу з будь-якої причини, вимкніть інструмент та утримуйте його нерухомим, доки диск не буде повністю зупинений. До повної зупинки різального диска не намагайтесь витягнути диск із розрізу. Це може призвести до віддачі. Проаналізуйте ситуацію, забезпечте виконання необхідних заходів для уникнення затиснення диска.
- ◆ Не поновлюйте роботу інструмента в заготовці. Дайте дискові досягти повної швидкості та обережно вставте його в розпочатий розріз. Диск може бути затиснений або піднятися при поновленні роботи інструмента.
- ◆ Опорні пластини або заготовки великого розміру можуть допомогти звести до мінімуму ризик заїдання диска та віддачі. Великі заготовки мають властивість прогинатися під власною вагою. Опори необхідно розташувати під заготовкою біля лінії розрізу та біля краю заготовки з обох боків диска.
- ◆ Будьте особливо уважні при виконанні «врізання» в стіни або інші місця, де не видно, що знаходиться під поверхнею. Диск, що виступає, може розрізати газову або водяну трубу, електричні кабелі або інші предмети та спричинити віддачу

Безпека для оточення

- ◆ Цей пристрій не призначений для використання особами (включаючи дітей) із зниженими фізичними, сенсорними або розумовими можливостями або особами, яким бракує досвіду або знань за винятком випадків, коли такі особи працюють під наглядом або отримали інструкції щодо використання пристрою від особи, яка несе відповідальність за їх безпеку.
- ◆ Діти повинні знаходитись під контролем, щоб гарантувати, що вони не будуть грати з пристроєм.

Залишкові ризики

Під час використання інструмента можуть виникнути додаткові залишкові ризики, які не внесені до попереджень щодо техніки безпеки в цьому посібнику.

Ці ризики можуть виникнути як результат неправильного використання, тривалого використання тощо. Незважаючи на виконання всіх відповідних правил техніки безпеки та використання захисних пристроїв, неможливо уникнути деяких залишкових ризиків. Сюди належать:

- ◆ травми через контакт з деталями, що рухаються/обертаються;
- ◆ Травми під час заміни деталей, пильних полотен або аксесуарів.
- ◆ Травми через занадто тривале використання інструмента. Під час використання будь-якого інструмента протягом тривалого періоду часу не забувайте робити регулярні перерви.
- ◆ Порушення слуху.
- ◆ Небезпека для здоров'я через вдихання пилу, що утворюється під час використання інструмента (наприклад, при роботі з деревом, особливо з дубом, буком та ДВП)

Вібрація

Значення вібрації, указані в технічних даних та в декларації про відповідність виміряні з дотриманням стандартних методів тестування, наданих в EN 60745, та їх можна використовувати для порівняння одного інструмента з іншим. Задекларовані значення вібрації можна також використовувати для попереднього оцінювання впливу вібрації.

Попередження! Значення вібрації, зафіксоване під час фактичного використання електроінструмента, може відрізнятись від заявленого значення вібрації, зважаючи на способи використання інструмента. Рівень вібрації може перевищувати вказані значення.

Оцінюючи вплив вібрації для визначення заходів безпеки за вимогами 2002/44/ЕС, щоб захистити людей, які регулярно використовують інструменти в роботі, необхідно враховувати реальні умови та способи використання

інструмента, у тому числі всі періоди робочого циклу, наприклад час, коли інструмент вимкнено та коли він працює в режимі холостого ходу, а також час, потрібний для запуску інструмента.

Перепади напруги

Пускові струми спричиняють короточасні перепади напруги.

За несприятливих умов живлення може постраждати інше обладнання.

Якщо опір джерела живлення нижчий за 0,424 Ом, виникнення збоїв є малоймовірним.

Маркування на інструменті

На інструменті нанесені наступні позначки та код дати:



Попередження! Щоб зменшити ризик травм, користувач повинен прочитати посібник з експлуатації.



Використовуйте захисні окуляри під час роботи з інструментом.



Використовуйте засоби захисту вух при використанні цього інструмента.

Електрична безпека



Зарядний пристрій має подвійну ізоляцію, тому заземлення неопотрібне. Завжди перевіряйте відповідність джерела живлення напрузі, що вказана на табличці з паспортними даними.

- ◆ Якщо шнур живлення пошкоджений, його слід замінити, звернувшись до виробника або представника уповноваженого центра обслуговування компанії Stanley Fat Max, щоб уникнути небезпеки.

Функції

Цей пристрій оснащено всіма або кількома з указаних нижче компонентів.

1. Двопозиційний перемикач
2. Кнопка блокування
3. Кнопка блокування
4. Бокова ручка
5. Фіксатор шпінделя
6. Захисний кожух

Монтаж

Попередження! Перед монтажем переконайтеся, що інструмент вимкнено та вилка витягнута з розетки.

Встановлення та знімання захисного кожуху (мал. А і В)

Інструмент оснащений захисним кожухом, призначеним для шліфування. Якщо інструмент призначений для різання, необхідно встановити захисний кожух, призначений спеціально для цих операцій. Відповідний захисний кожух для операцій розрізання (номер деталі 1004484-01) можна придбати в сервісному центрі Stanley FatMax.

Встановлення

- ◆ Розташуйте інструмент на столі так, щоб шпindel (7) дивився вгору.
- ◆ Розташуйте пружинну шайбу (8) над шпindelом та розмістіть її на кромці.
- ◆ Розташуйте захисний кожух (6) на інструменті, як показано.
- ◆ Розташуйте фланець (9) над шпindelом так, щоб його виступи були направлені на захисний кожух. Переконайтесь, щоб отвори у фланці співпадали з різьбленими отворами.
- ◆ Закріпіть фланець за допомогою гвинтів (10). Переконайтесь, що гвинти добре затягнуті та захисний кожух можна повернути.

Зняття

- ◆ Скористайтесь викруткою, щоб зняти гвинти (10).
- ◆ Зніміть фланець (9), захисний кожух (6) та пружинну шайбу (8). Не загубіть ці деталі.

Попередження! Не використовуйте інструмент без захисного кожуху.

Налаштування захисного кожуху

Захисний кожух можна повертати на 90°.

- ◆ Поверніть захисний кожух, як необхідно.

Установка бокової ручки

- ◆ Прикріпіть бокову ручку (4), закрутивши гвинт в один з монтажних отворів інструменту.

Попередження! Завжди використовуйте бокову ручку.

Установка та знімання ріжучих та шліфувальних дисків (рис. С - Е)

Завжди використовуйте коректний тип диска для вашої задачі.

Завжди використовуйте диски коректного діаметру та діаметру отвору (див. технічні дані).

Встановлення

- ◆ Встановіть захисний кожух, як описано вище.
- ◆ Розташуйте внутрішній фланець (11) на шпindelі (7), як показано (мал. С). Переконайтесь, що фланець встановлено правильно та що він розташований на

плоскому боці шпindelя.

- ◆ Розташуйте диск (12) на шпindelі (7), як показано (мал. С). Якщо диск має піднятий центр (13), переконайтесь, що піднятий центр направлений на внутрішній фланець.
- ◆ Переконайтесь, що диск розташований вірно на внутрішньому фланці.
- ◆ Розмістіть зовнішній фланець (14) на шпindelі. При встановленні шліфувального диску піднятий центр на зовнішньому фланці має дивитися на диск (А на мал. D). При встановленні ріжучого диску піднятий центр на зовнішньому фланці має дивитися від диску (В на мал. D).
- ◆ Тримайте затискач шпindelя (5) натисненим та затягніть зовнішній фланець, використовуючи двоштирковий гайковий ключ (15) (мал. Е).

Зняття

- ◆ Тримайте затискач шпindelя (5) натисненим та відпустіть зовнішній фланець (14), використовуючи двоштирковий гайковий ключ (15) (мал. Е).
- ◆ Зніміть зовнішній фланець (14) та диск (12).

Експлуатація

Попередження! Інструмент має працювати з передбаченою для нього швидкістю. Не перевантажуйте його.

- ◆ Стежте за кабелем, щоб уникнути його випадкового перерізання.
- ◆ Будьте готові до появи іскор, коли шліфувальний та ріжучий диск торкається деталі.
- ◆ Завжди розміщуйте інструмент таким чином, щоб захисний кожух надавав оптимальний захист від шліфувального та ріжучого диску.

Увімкнення та вимкнення

- ◆ Щоб увімкнути інструмент, натисніть кнопку блокування (2), а потім натисніть перемикач Увімк./Вимк. (1).
 - ◆ Для безперервної роботи натисніть кнопку блокування (3) та відпустіть перемикач Увімк./Вимк.
 - ◆ Щоб вимкнути інструмент, відпустіть перемикач вперед/назад. Щоб вимкнути інструмент при безперервній роботі, натисніть на перемикач Увімк./Вимк. знов та відпустіть його.
- Попередження! Не вимикайте інструмент під навантаженням.

Функція плавного пуску

Функція м'якого старту дозволяє поступово збільшувати швидкість для уникнення ривків при старті. Дана функція є особливо корисною при роботі в закритому приміщенні.

Функція No-Volt (Без напруги)

Функція No-volt зупиняє перезавантаження шліфувального станка без зацікловування перемикача, якщо припиняється подача живлення.

Підказки для оптимального використання

- ◆ Добре утримуйте інструмент однією рукою за бокову ручку та іншою рукою за головну (рис F) ручку.
- ◆ При шліфуванні завжди зберігайте кут приблиз. 15° між диском та поверхню деталі.

Технічне обслуговування

Ваш пристрій виробництва компанії Stanley Fat Max призначений для роботи протягом довгого часу з мінімальним обслуговуванням. Тривала задовільна робота інструмента залежить від належного обслуговування інструмента й регулярного його очищення.

Попередження! Перед виконанням будь-якого технічного обслуговування інструмента зі шнуром живлення або без нього виконайте такі дії.

- ◆ Вимкніть інструмент та відключіть його від мережі живлення.
- ◆ Або вимкніть інструмент та витягніть акумулятор з нього, якщо ваш пристрій має окремий акумуляторний блок,
- ◆ Або повністю розрядіть акумулятор, якщо пристрій має вбудований акумулятор, а потім вимкніть інструмент.
- ◆ Витягніть зарядний пристрій з розетки перед очищенням. Зарядний пристрій не вимагає технічного обслуговування, потрібно лише виконувати регулярне очищення.
- ◆ Регулярно очищуйте вентиляційні отвори пристрою/інструменту/зарядного пристрою за допомогою м'якої щітки або сухої ганчірки.
- ◆ Регулярно очищуйте корпус двигуна за допомогою вологої тканини.

Не використовуйте абразивні очищувачі та засоби, що містять розчинники.

- ◆ Регулярно відкривайте затискний патрон та струшуйте його, щоб видалити пил з середини (якщо патрон наявний).

Заміна мережевої вилки (тільки для Великої Британії та Ірландії)

Якщо потрібно встановити нову вилку:

- ◆ Зніміть стару вилку та утилізуйте її, дотримуючись правил техніки безпеки.
- ◆ Приєднайте коричневий провідник до активного виходу нової вилки.
- ◆ Приєднайте блакитний провідник до нейтрального виходу.

Попередження! Жоден провід не повинен бути підключений до клеми заземлення.

Дотримуйтеся інструкцій щодо встановлення, які постачаються з якісними вилками.

Рекомендований плавкий запобіжник: 13 А.

Захист навколишнього середовища



Роздільний збір. Пристрої та акумулятори, позначені цим символом, не можна викидати із звичайним побутовим сміттям.

Пристрої та акумулятори містять матеріали, які можна відновити й переробити, що зменшить потребу в сировині. Будь ласка, віддавайте електричні інструменти та акумулятори на переробку відповідно до місцевих постанов.

Технічні характеристики

		FMEG222, тип 1
Вхідна напруга	$V_{\text{змін.}}$ <small>струму</small>	230
Споживана потужність	Вт	1200
Номінальна швидкість	об/ хв.	11000
Діаметр диска	мм	125
Діаметр отвору диска	мм	22
Макс. товщина диска		
Шліфувальні диски	мм	6
Ріжучі диски	мм	3,5
Розмір шпинделя		M14
Маса	кг	2,7

Рівень звукового тиску згідно з EN 60745:

Звуковий тиск (L_{pA}) 91 дБ(A), похибка (K) 3 дБ(A)

звукова потужність (L_{WA}) 102 дБ(A), похибка (K) 3 дБ(A)

Загальні значення вібрації (векторна сума трьох векторів) згідно з EN 60745:

Шліфування поверхні ($a_{h,SC}$) 8,2 м/с², похибка (K) 1,5 м/с²

Декларація про відповідність ЄС ДИРЕКТИВА ДЛЯ МЕХАНІЧНОГО ОБЛАДНАННЯ



Кутовий шліфувальний станок FMEG222

Компанія Stanley Europe заявляє, що продукти, описані у розділі «Технічні дані» відповідають вимогам:

2006/42/EC, EN60745-1:2009 +A11:2010; EN60745-2-3:2011+A2:2012
+A11:2014+A12:2014+A13:2015

Ці продукти також відповідають Директивам
2006/42/EC, 2014/30/EU 2011/65/EU.

Для отримання додаткової інформації зверніться до компанії Stanley Europe за наведеною нижче адресою або прочитайте інформацію на зворотному боці цього посібника.

Особа, яка підписалася нижче, несе відповідальність за упорядкування файлу технічних характеристик та робить цю заяву від компанії Stanley Europe.

A. Сміт (A. Smith)
Технічний директор
Stanley Fat Max Europe, 210 Bath Road, Slough,
Беркшир, SL1 3YD, Великобританія
15.01.2019

Будь ласка, відвідайте наш сайт www.blackanddecker.ua, щоб зареєструвати свій новий продукт Stanley Fat Max та отримувати інформацію про нові продукти та спеціальні пропозиції.



Виробник:
"Stanley Black & Decker Deutschland GmbH" Black-&-Decker Str.40, D-65510
Idstein, Німеччина

Гарантія

Компанія Stanley Fat Max впевнена в якості своєї продукції та пропонує споживачам гарантію тривалістю 12 місяців з дати покупки. Ця гарантія доповнює і жодним чином не обмежує ваші законні права. Ця гарантія є чинною на території країн-членів Європейського Союзу та в європейській зоні вільної торгівлі.

Позив за гарантією повинен відповідати умовам компанії Stanley Fat Max, при цьому вам необхідно буде надати доказ покупки продавцю або спеціалісту офіційного сервісного центру. Умови 1-річної гарантії компанії Stanley Fat Max та місцезнаходження найближчого сервісного центру можна дізнатися в інтернеті на сайті www.2helpU.com або звернутися до місцевого представництва компанії Stanley Fat Max за адресою, вказаною у цьому керівництві.

STANLEY
FATMAX

ГАРАНТІЙНИЙ ТАЛОН

3 РОКИ
ГАРАНТІЇ

- Вітаємо Вас з покупкою високоякісного виробу Stanley FATMAX і висловлюємо вдячність за Ваш вибір.
- При покупці виробу вимагайте перевірки його комплектності і справності у Вашій присутності, інструкцію з експлуатації та заповнений гарантійний талон українською мовою. В гарантійному талоні повинні бути внесені: модель, дата продажу, серійний номер, дата виробництва інструменту; назва, печатка і підпис торгової організації. За відсутності у Вас правильно заповненого гарантійного талону, а також при невідповідності зазначених у ньому даних ми будемо змушені відхилити Ваші претензії щодо якості даного виробу.
- Щоб уникнути непорозумінь, переконливо просимо Вас перед початком роботи з виробом уважно ознайомитися з інструкцією з його експлуатації. Правовою основою справжніх гарантійних умов є чинне Законодавство. Гарантійний термін на даний виріб складає 36 місяців і обчислюється з дня продажу. У разі усунення недоліків виробу, гарантійний строк продовжується на період його перебування в ремонті. Термін служби виробу становить 5 років з дня продажу.
- У разі виникнення будь-яких проблем у процесі експлуатації виробу рекомендуємо Вам звертатися тільки в уповноважені сервісні центри Stanley FATMAX, адреси та телефони яких Ви зможете знайти в гарантійному талоні, на сайті www.2helpU.com або дізнатися в магазині. Наші сервісні станції - це не тільки кваліфікований ремонт, але і широкий асортимент запчастин і аксесуарів.
- Виробник рекомендує проводити періодичну перевірку і технічне обслуговування виробу в уповноважених сервісних центрах.
- Наші гарантійні зобов'язання поширюються тільки на несправності, виявлені протягом гарантійного терміну і викликані дефектами виробництва та \ або матеріалів.
- Гарантійні умови не поширюються на несправності виробу, що виникли в результаті:
 - Недотримання користувачем приписів інструкції з експлуатації виробу, застосування виробу не за призначенням, неправильного зберігання, використання приладдя, витратних матеріалів і запчастин, що не передбачені виробником.
 - Механічного пошкодження (відколю, тріщини і руйнування) внутрішніх і зовнішніх деталей виробу, основних і допоміжних рукояток, мережевого кабелю, що викликані зовнішнім ударним або будь-яким іншим впливом
 - Потраплення у отвори та проникнення всередину виробу сторонніх предметів, матеріалів або речовин, що не є відходами, які супроводжують застосування виробу за призначенням, такими як: стружка, тирса, пісок, та ін.
 - Впливу на виріб несприятливих атмосферних і інших зовнішніх факторів, таких як дощ, сніг, підвищена вологість, нагрівання, агресивні середовища, невідповідність параметрів електромережі, що зазначені на інструменті.
 - Стихійного лиха. Пошкодження або втрати виробу, що пов'язані з непередбаченими лихами, стихійними явищами, у тому числі внаслідок дії непереборної сили (пожежа, блискавка, потоп і інші природні явища), а також внаслідок перепадів напруги в електромережі та іншими причинами, які знаходяться поза контролем виробника.
- Гарантійні умови не поширюються:
 - На інструменти, що піддавались розкриттю, ремонту або модифікації поза уповноваженим сервісним центром.
 - На деталі, вузли та матеріали, що мають сліди природного зносу, такі як: приводні реміні і колеса, вугільні щітки, мастило, підшипники, зубчасті зчеплення редукторів, гумові ущільнення, сальники, направляючі ролики, муфти, вимикачі, бойки, штовхачі, стволи тощо.
 - На змінні частини: патрони, цанги, затискні гайки і фланці, фільтри, ножі, шліфувальні підшови, ланцюги, зірочки, пильні шини, захисні козухи, пилки, абразиви, пильні і абразивні диски, фрези, свердла, бури тощо
 - На несправності, що виникли в результаті перевантаження інструменту (як механічного, так і електричного), що спричинили вихід з ладу одночасно двох і більше деталей і вузлів, таких як: ротора і статора, обох обмоток статора, веденої і ведучої шестерні редуктора або інших вузлів і деталей. До безумовних ознак перевантаження виробу відносяться, крім інших: поява кольорів мільниці, деформація або оплавлення деталей і вузлів виробу, потемніння або обуглювання ізоляції проводів електроприводу під впливом високої температури.

Товар отриманий в справному стані, без видимих ушкоджень, в повній комплектації, перевірений у моїй присутності, претензій щодо якості товару не маю. З умовами гарантійного обслуговування ознайомлений і згоден.

П. І. Б. та підпис власника _____

Шановні клієнти, наша мережа авторизованих сервісних центрів постійно розширюється. Актуальну інформацію про обслуговування в місті, що цікавить вас, ви можете дізнатися на сайті

www.2helpU.com

Редакція ВК/12-12-2018

Інформація про інструмент

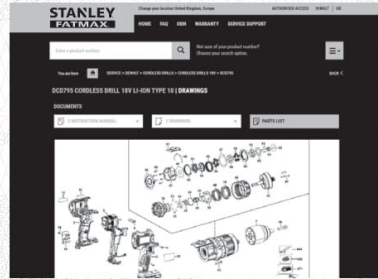
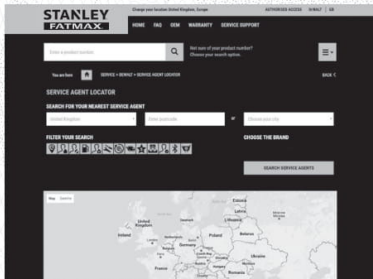
Найменування інструменту	
Модель	
Найменування продавця	
Дата продажу	

Серійний номер/Дата виробництва

Інструмент	
Зарядний пристрій	
Акумулятор 1	
Акумулятор 2	

М.П.
ПродавцяНа сайті www.2helpU.com доступні наступні функції:

- Список авторизованих сервісних центрів
- Зручний пошук найближчого сервісного центру
- Керівництво з експлуатації
- Технічні характеристики
- Список деталей і запасних частин
- Схема складання інструменту



Також дану інформацію ви можете отримати,
зателефонувавши за номером:
0 (800) 211 521 в Україні

ВІДІТКА ПРО ПРОВЕДЕННЯ СЕРВІСНОГО ОБСЛУГОВУВАННЯ

№1	№2	№3	№4
№ замовлення	№ замовлення	№ замовлення	№ замовлення
Дата прийому	Дата прийому	Дата прийому	Дата прийому
Дата ремонту	Дата ремонту	Дата ремонту	Дата ремонту
Печатка і підпис сервісного центру	Печатка і підпис сервісного центру	Печатка і підпис сервісного центру	Печатка і підпис сервісного центру

