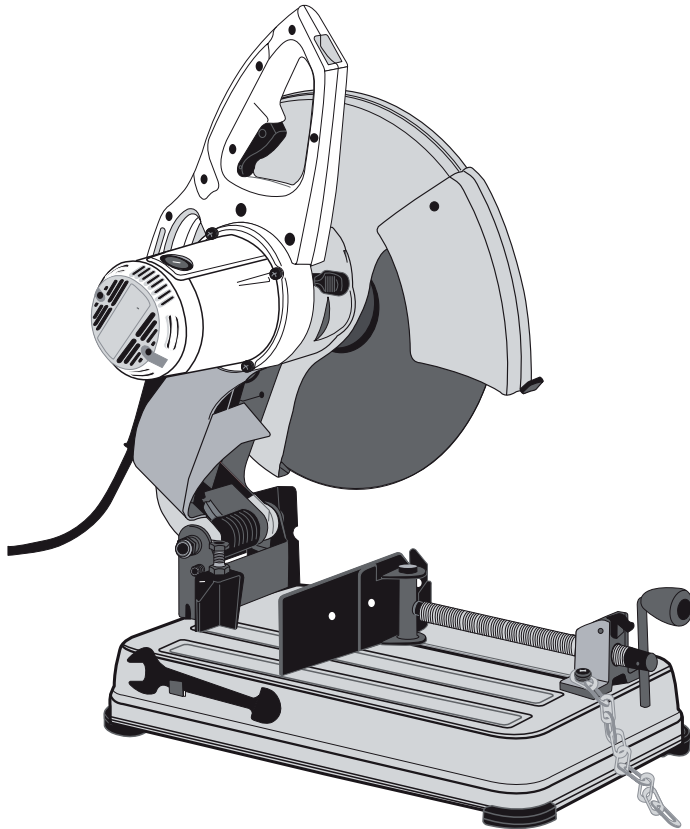


STANLEY®

FatMax®

23



www.stanley.eu

FME700

FIG. 1

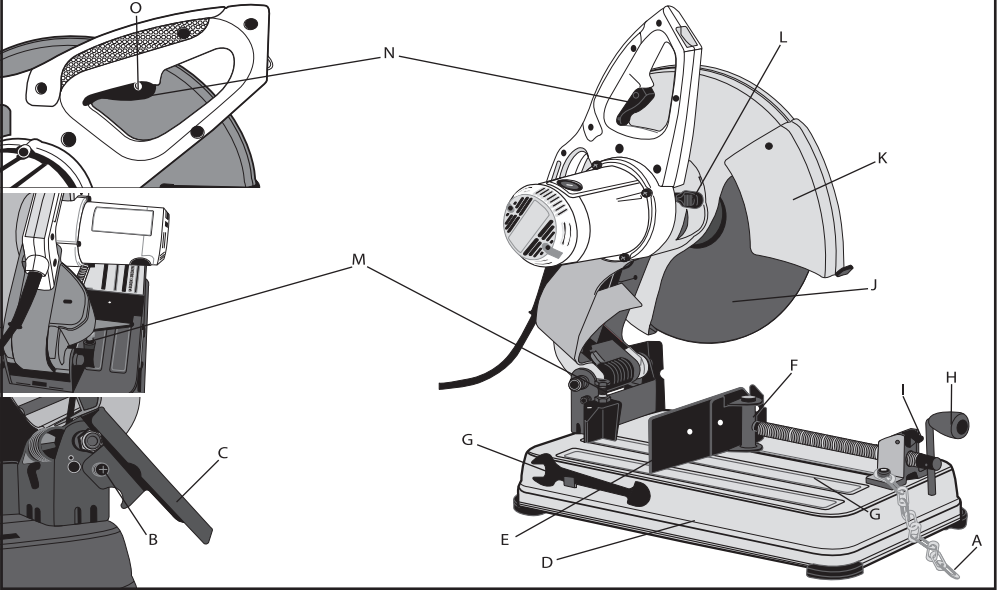


FIG. 2

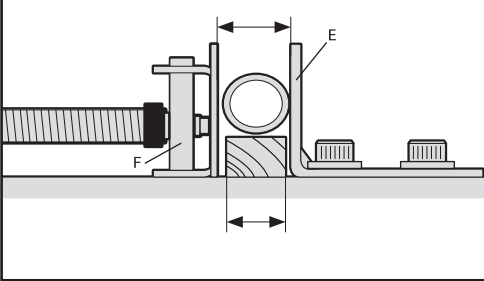


FIG. 3

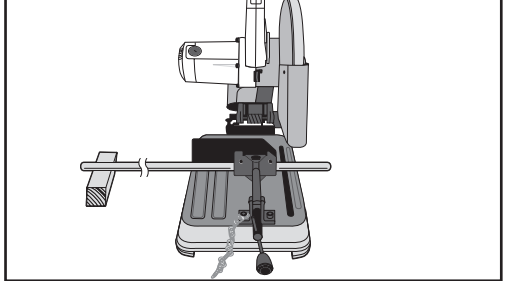


FIG. 4

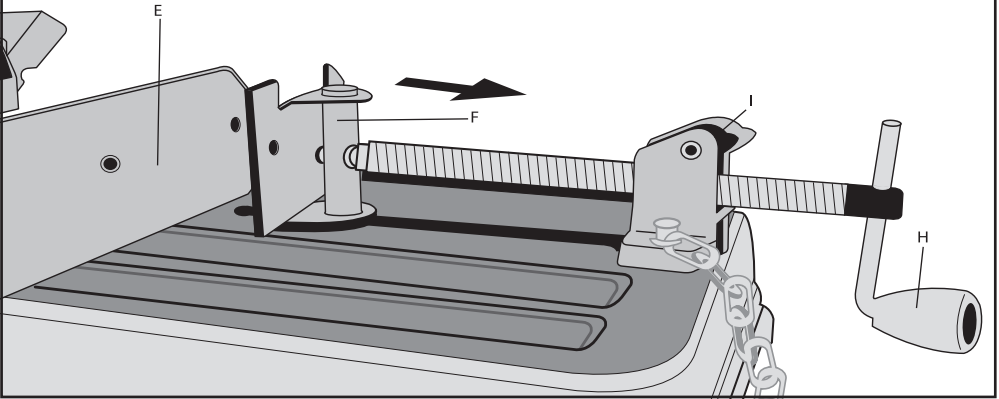


FIG. 5

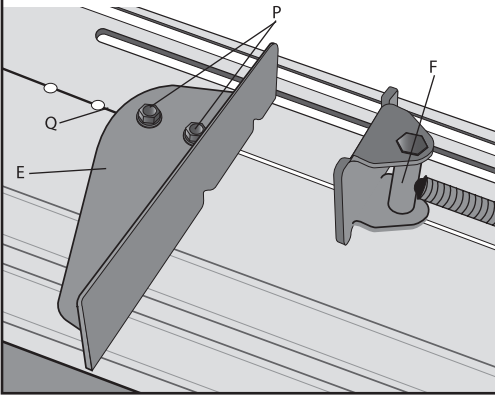


FIG. 6

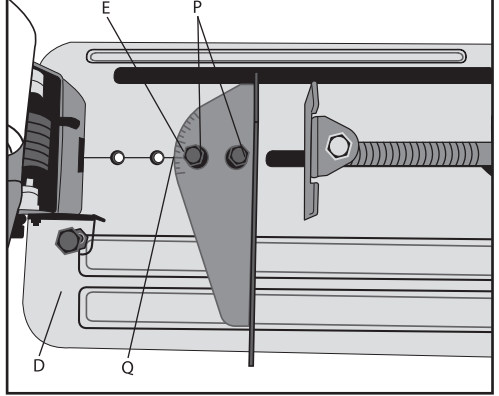


FIG. 7

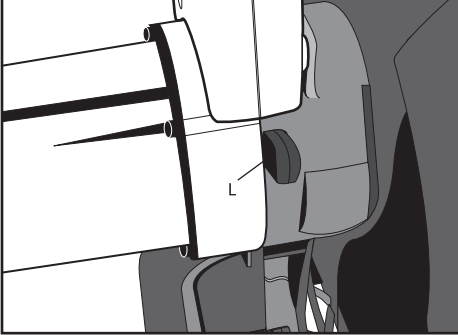


FIG. 8

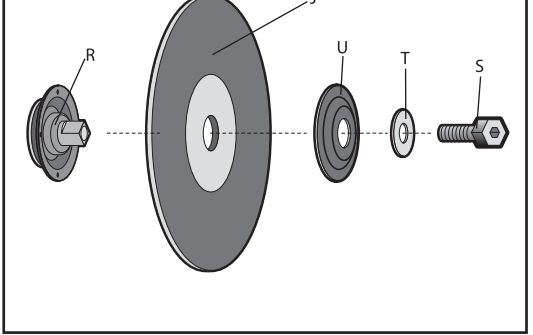
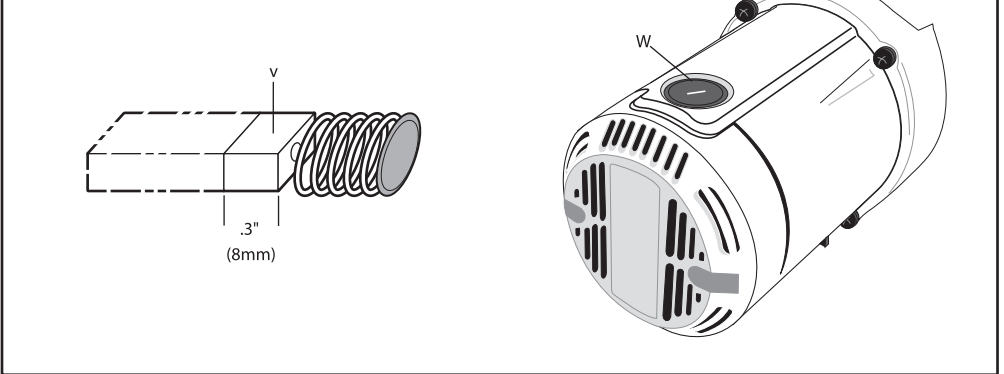


FIG. 9



Intended use

Your Stanley Fat Max Chop Saw has been designed for the cutting of variously shaped steel materials. This tool is intended for professional and private, non professional users.

Safety instructions

General power tool safety warnings



Warning! When using power tools, always observe the safety regulations applicable in your country to reduce the risk of fire, electric shock and personal injury..

- ◆ Read all of this manual carefully before using the appliance.
- ◆ The intended use is described in this manual. The use of any accessory or attachment or the performance of any operation with this appliance other than those recommended in this instruction manual may present a risk of personal injury.
- ◆ Retain this manual for future reference.

1. Keep work area clean

Cluttered areas and benches can cause accidents.

2. Consider work area environment

Do not expose the tool to rain. Do not use the tool in damp or wet conditions. Keep the work area well lit (250 - 300 Lux). Do not use the tool where there is a risk of causing fire or explosion, e.g. in the presence of flammable liquids and gases.

3. Guard against electric shock

Prevent body contact with earthed surfaces (e.g. pipes, radiators, cookers and refrigerators). When using the tool under extreme conditions (e.g. high humidity, when metal swarf is being produced, etc.), electric safety can be further improved by using a highsensitivity 30 mA Residual Current Device (RCD).

4. Keep other persons away

Do not let persons, especially children, not involved in the work touch the tool or the extension cord and keep them away from the work area.

5. Store idle tools

When not in use, tools must be stored in a dry place and locked up securely, out of reach of children.

6. Do not force the tool

It will do the job better and safer at the rate for which it was intended.

7. Use the right tool

Do not force small tools to do the job of a heavy duty tool. Do not use tools for purposes not intended; for example do not use circular saws to cut tree limbs or logs.

8. Dress properly

Do not wear loose clothing or jewellery, as these can be caught in moving parts. Wear protective hair covering to keep long hair out of the way. When working outdoors, preferably wear suitable gloves and non-slip footwear.

9. Use protective equipment

Always use safety glasses. Use a face or dust mask whenever the operations may produce dust or flying particles. If these particles might be considerably hot, also wear a heat-resistant apron. Wear ear protection at all times. Wear a safety helmet at all times.

10. Connect dust extraction equipment

If devices are provided for the connection of dust extraction and collection facilities, ensure that these are connected and properly used.

11. Do not abuse cord

Never carry the tool by its cord. Never pull the cord to disconnect from the socket. Keep the cord away from heat, oil and sharp edges.

12. Secure workpiece

Use clamps or a vice to hold the workpiece. It is safer and it frees both hands to operate the tool.

13. Do not overreach

Keep proper footing and balance at all times.

14. Maintain tools with care

Keep cutting tools sharp and clean for better and safer performance. Follow instruction for lubricating and changing accessories. Inspect tool cords periodically and if damaged have them repaired by an authorized service facility. Inspect extension cords periodically and replace if damaged. Keep handles dry, clean and free from oil and grease.

15. Disconnect tool

Switch off and wait for the tool to come to a complete standstill before leaving it unattended. Unplug the tool when not in use, before changing any parts of the tools, accessories or attachments and before servicing.

16. Remove adjusting keys and wrenches

Always check that adjusting keys and wrenches are removed from the tool before operating the tool.

17. Avoid unintentional starting

Do not carry the tool with a finger on the switch. Be sure that the tool is switched off before plugging in.

18. Use outdoor extension cables

Before use, inspect the extension cable and replace if damaged. When using the tool outdoors, only use extension cables intended for outdoor use and marked accordingly.

19. Stay alert

Watch what you are doing, use common sense and do not operate the tool when you are tired.

20. Check for damaged parts

Before use, carefully check the tool and mains cable for damage. Check for misalignment and seizure of moving parts, breakage of parts, damage to guards and switches and any other conditions that may affect its operation. Ensure that the tool will operate properly and perform its intended function. Do not use the tool if any part is damaged or defective. Do not use the tool if the switch does not turn it on and off. Have any damaged or defective parts replaced by an authorised Black and Decker repair agent. Never attempt any repairs yourself.

21. Warning!

The use of any accessory or attachment or performance of any operation with this tool other than those recommended in this instruction manual may present a risk of personal injury.

22. Have your tool repaired by a qualified person

This tool is in accordance with the relevant safety regulations. Have your tool repaired by an authorised Black and Decker repair agent. Repairs should only be carried out by qualified persons using original spare parts; otherwise this may result in considerable danger to the user.

Additional safety instructions for chopsaws

- ◆ Always wear regular working gloves while operating this tool.
- ◆ Keep hands away from the cutting disc. Never cut workpieces that require manual action closer than 15 cm from the rotating cutting disc.
- ◆ Do not cut workpieces less than 1.2 mm in thickness when using the cutting disc supplied with this tool.
- ◆ Do not operate this tool without guards in place.
- ◆ Do not perform any operation freehand. Use the material clamp to clamp the workpiece securely.
- ◆ Never reach in the back of the cutting disc.
- ◆ Always position the tool on a flat, stable surface that is well maintained and free of loose materials, e.g. chips and cut-offs.
- ◆ Before using, inspect the cutting disc for cracks or flaws. Discard the cutting disc if a crack or flaw is evident.
- ◆ Make sure the cutting disc is not contacting the workpiece before the tool is switched on.
- ◆ In operation, avoid bouncing the cutting disc or giving it rough treatment. If this occurs, stop the tool and inspect the cutting disc.
- ◆ Do not operate the tool while standing in line with the cutting disc. Keep other persons away from the work area.
- ◆ Be aware of cutting chips and the material being cut. They may be sharp and hot. Allow cut off parts to cool before handling.
- ◆ The spark deflector becomes hot during use. Avoid touching or adjusting the spark deflector immediately after operation.
- ◆ Switch off the tool and wait for the cutting disc to stop before moving the workpiece or changing the settings.
- ◆ After switching off, never attempt to stop the cutting disc by pressing against the side of the disc.
- ◆ Do not use cutting fluids. These fluids could ignite or cause electrical shock.
- ◆ Check that the workpiece is properly supported.
- ◆ Use the cutting discs recommended by the manufacturer only. Never use circular saw blades or any other types of toothed blades.
- ◆ The max. allowable speed of the cutting disc must always be equal to or greater than the no-load speed of the tool specified on the nameplate.
- ◆ Do not use cutting discs that do not conform to the dimensions stated in the technical data.
- ◆ Only use cutting discs that conform to EN12413.
- ◆ Ensure that the cutting disc is mounted correctly before use.
- ◆ Let the tool run at no-load in a safe position for at least 30 seconds. If there is a considerable vibration or if any other defect occurs, stop the tool and check it to determine the cause.
- ◆ Do not use cutting discs for side grinding.
- ◆ Do not cut concrete, brick, tile or ceramic materials.
- ◆ Do not cut wood, plastic or synthetic materials.
- ◆ Do not cut cast-iron materials.
- ◆ Never cut magnesium materials.
- ◆ Do not cut electrically live material.
- ◆ Use this tool in a well-ventilated area. Do not operate the tool near flammable liquids, gases or dust. Sparks or hot chips from cutting or arcing motor brushes may ignite combustible materials.

- ◆ Regularly clear the ventilation slots when working in dusty conditions. If it should become necessary to clean the slots, remember to unplug the tool first.
- ◆ Always store cutting discs well-protected and in a dry place, out of reach of children.
- ◆ **Warning!** Use of this tool can generate dust containing chemicals known to cause cancer, birth defects or other reproductive harm. Use appropriate respiratory protection.



Warning! Only use a chop saw wheel with a maximum thickness of 3 mm and a maximum diameter of 355mm.

Warning! The cutting wheel will continue to rotate after the tool has been switched off.

- ◆ Use only reinforced wheels rated 4300 rpm or higher.
- ◆ Always wear eye protection, use guards, clamp work in vise, use proper respiratory protection.

The following factors are of influence to noise production:

- ◆ the material to be cut
- ◆ the type of the cutting disc
- ◆ the feed force
- ◆ **Warning!** Take appropriate measures for the protection of hearing.

Residual risks

The following risks are inherent to the use of these machines:

- ◆ injuries caused by touching the rotating parts
- ◆ injuries caused by disruption of the cutting disc

These risks are most evident:

- ◆ within the range of operation
- ◆ within the range of the rotating machine parts

In spite of the application of the relevant safety regulations and the implementation of safety devices, certain residual risks cannot be avoided. These are:

- ◆ Impairment of hearing.
- ◆ Risk of accidents caused by the uncovered parts of the rotating cutting disc.
- ◆ Risk of injury when changing the disc.
- ◆ Risk of squeezing fingers when opening the guards.

Electrical safety



Your tool is double insulated; therefore no earth wire is required. Always check that the mains voltage corresponds to the voltage on the rating plate. Never attempt to replace the charger unit with a regular mains plug.

- ◆ If the supply cord is damaged, it must be replaced by the manufacturer or an authorised Stanley Fat Max Service Centre in order to avoid a hazard.

Voltage drops

Inrush currents cause short-time voltage drops.

Under unfavourable power supply conditions, other equipment may be affected.

If the system impedance of the power supply is lower than 0.12 Ω, disturbances are unlikely to occur.

Warning Symbols

The following symbols are found on the tool:



Warning! To reduce the risk of injury, the user must read the instruction manual.



Always wear safety goggles.



Always wear safety hearing protection.

Features

This tool includes some or all of the following features.

- Lock Chain
- Spark deflector screw
- Spark deflector
- Base
- Fence
- Vice
- Flat Wrench
- Crank
 - Vice Lever
- Cutting disc
- Guard
- Spindle Lock
- Depth Stop Bolt and Locking Nut
- Trigger Switch
- Padlock Hole
- Fence Bolts

Assembly

Warning! Turn off and unplug the tool before making any adjustments or removing or installing attachments or accessories. Be sure the trigger switch is in the OFF position. Do not make any adjustment while the wheel is in motion..

Removing and fitting a cutting disc (fig. 7 - fig 8)

- ◆ Push in the spindle lock (L).
- ◆ Rotate the cutting disc (J) until it locks.
- ◆ Using the flat wrench (G), remove the bolt (S) by turning counterclockwise and then remove the washer (T) and the retaining flange (U).
- ◆ Check that the spacer (R) is in place against the flange.

- ◆ Replace the cutting disc (J). Make sure that the new disc is placed onto the spacer (R) in the correct rotational direction.
- ◆ Secure the blade with the retaining flange (U), the washer (T) and the bolt (S).
- ◆ Push in the spindle lock (L).
- ◆ Rotate the cutting disc (J) until it locks.
- ◆ Using the flat wrench (G), tighten the bolt (S) by turning clockwise.
- ◆ Move the guard back down and release the spindle lock (L).
- ◆ Adjust the cutting depth as necessary.

Adjusting the cutting depth (fig. 1)

The cutting depth can be adjusted to meet the wear of the cutting disc.

- ◆ Make a dry run with the tool switched off and check for clearance.
- ◆ If adjustment is required, proceed as follows:
- ◆ Loosen the lock nut (M) a few turns.
- ◆ Turn the depth stop bolt (M) in or out as to achieve the required cutting depth.
- ◆ Tighten the lock nut (M).

Warning: Always adjust the depth stop to its original position when replacing the cutting disc.

Clamping the workpiece in position (fig. 2 - fig 4)

The tool is equipped with a vise (F)

- ◆ Pull the lever (I) toward the handle (H).
- ◆ Push the vise (F) forward until the jaw is almost touching the workpiece.
- ◆ Press the lever (I) toward the jaw until it engages with the clamp shaft.
- ◆ Rotate the handle (H) clockwise and clamp the workpiece securely.
- ◆ To release the workpiece, rotate the handle (H) counterclockwise.
- ◆ To increase the cutting capacity, place a spacer block under the workpiece. The spacer block should be slightly narrower than the workpiece.

Warning: Support long workpieces using a piece of wood. Do not clamp the cut off end.

Quick travel feature (fig. 4)

The clamp has a quick travel feature.

- ◆ To release the clamp, rotate the handle (H) one or two turns counterclockwise and pull the lever (I) toward the handle (H).

Setting the clamping position (fig. 5)

The clamping position can be set to match the cutting disc.

- ◆ Remove the fence bolts (P) using the flat wrench (G).
- ◆ Move the fence (E) as required.
- ◆ Re-fit the fence bolts (P) and tighten them to lock the fence (E).

Adjusting the angle of cut (fig. 6)

The tool can be used for mitre cuts up to 45°.

- ◆ Loosen the fence bolts (P) to release the fence (E).
- ◆ Set the fence (E) to the required angle. The angle can be read on the scale (Q).
- ◆ Tighten the fence bolts (P) to lock the fence (E).

Checking and adjusting the mitre scale (fig. 6)

- ◆ Loosen the fence bolts (P) to release the fence (E).
- ◆ Pull down the arm and lock it in this position by attaching the lock chain (A).
- ◆ Place a square against the fence (E) and the left side of the cutting disc creating a perfect 90°. Check that the 0° marking on the scale (Q) aligns with the marking on the base (D).
- ◆ Tighten the fence bolts (P) to lock the fence (E).
- ◆ Remove the lock chain (A) and return the arm to its upper rest position.

Adjusting the spark deflector (fig. 1)

- ◆ Loosen the screw (B).
- ◆ Set the spark deflector (C) as appropriate.
- ◆ Tighten the screw (B).

Use

Warning: Always observe the safety instructions and applicable regulations.

Warning: Do not apply excessive pressure to the tool.

Warning: Avoid overloading. Should the tool become hot, let it run a few minutes under no load condition.





Cutting capacity

The wide vise opening and high pivot point provide cutting capacity for many large pieces. Use the cutting capacity chart to determine total maximum size of cuts that can be made with a new wheel.

Caution: Certain large, circular or irregularly shaped objects may require additional holding means if they cannot be held securely in vise.

Maximum cutting capacity

Note: Capacity shown on chart assumes no wheel wear and optimum fence position.

Workpiece shape				
90° cutting angle	A = 4-7/8" (125mm)	A = 4-1/2" (115mm)	4-1/2" x 5-1/8" (115mm x 130mm) 4" x 7-5/8" (115mm x 130mm) 3" x 7-3/8" (115mm x 130mm)	A = 4-1/2" x 5-3/8" (115mm x 137mm)
45° Cutting Angle	A = 4-1/2" (115mm)	A = 3-13/16" (98mm)	4-1/2" x 3-13/16" 4-1/8" x 3-3/4" (105mm x 95mm)	A = 3-13/16" (95mm)

Prior to operation:

- ◆ Install the appropriate cutting disc. Do not use excessively worn discs. The maximum rotation speed of the tool must not exceed that of the cutting disc.
- ◆ Make sure the disc rotates in the direction of the arrows on the accessory and the tool.
- ◆ Secure the workpiece.
- ◆ Always set the spark deflector correctly.

Switching on and off (fig. 1)

The on/off trigger switch (N) is mounted in the operating handle.

- ◆ To run the tool, press the on/off trigger switch (N).
- ◆ Keep the on/off switch depressed while performing the operation.
- ◆ To stop the tool, release the trigger switch (N).

Warning: Do not switch the tool on or off when under load.

Warning: To prevent unauthorized use of tool, install a standard padlock (not included) into the padlock hole (O) located in the trigger switch.



Warning! Do not cut magnesium.

Consult your dealer for further information on the appropriate accessories.

Performing a cut (fig. 1)

- ◆ Place the material to be cut against the fence (E) and secure using the vise (F).
- ◆ Switch on the tool and pull down the handle to cut the workpiece. Allow the motor to reach full speed before cutting.
- ◆ Allow the disc to cut freely. Do not force.
- ◆ After completing the cut, switch off the tool and return the arm to its upper rest position.

Transporting (fig. 1)

The tool is equipped with a lock chain (A) which locks the tool in closed-down position for carrying.

Warning: Ensure that the tool is switched off and disconnected from the mains supply before transporting.

- ◆ Lower the guard (K) onto the cutting table base (D) and secure the tool in this position by securing the chain on the hook in the handle.
- ◆ Transport the tool using the carrying handles.
- ◆ To release the tool, depress the operating handle slightly and pull off the lock chain (A).

Maintenance

Your Stanley Fat Max corded/cordless appliance/tool has been designed to operate over a long period of time with a minimum of maintenance. Continuous satisfactory operation depends upon proper appliance/tool care and regular cleaning.

Warning! Before performing any maintenance on corded/cordless appliance/tool:

- ◆ Switch off and remove the battery from the appliance.
- ◆ Keep the ventilation slots clear and regularly clean the housing with a soft cloth.
- ◆ Do not use abrasive cleaners.

Mains plug replacement (U.K. & Ireland only)

If a new mains plug needs to be fitted:

- ◆ Safely dispose of the old plug.
- ◆ Connect the brown lead to the live terminal in the new plug.
- ◆ Connect the blue lead to the neutral terminal.

Warning! No connection is to be made to the earth terminal.

Follow the fitting instructions supplied with good quality plugs. Recommended fuse: 13 A.

Motor brush inspection and replacement (fig. 9)

Warning! Turn off and unplug the tool. Be sure the trigger switch is in the OFF position.

Brushes should be regularly inspected for wear. To inspect brushes, remove brush cap (W). Brushes (V) should slide freely in brush box. If brushes are worn down to .3" (8mm) as shown in Figure 9 they should be replaced.

To reinstall, push new brush back into brush box. If replacing existing brush, maintain same orientation as when removed. Replace the brush cap (do not overtighten).

Cleaning

Blowing dust and grit out of the main housing by means of an air hose is recommended and may be done as often as dirt is seen collecting in and around the air vents. Always wear proper eye and respiratory protection.

Repairs

To assure product SAFETY and RELIABILITY, repairs, maintenance and adjustment should be performed by authorized service centers or other qualified service organizations, always using identical replacement parts.

Lubrication

Closed-type, grease-sealed ball bearings are used throughout. These bearings have sufficient lubrication packed in them at the factory to last the life of the chop saw.

Accessories

Caution! The use of any other accessory not recommended for use with this tool could be hazardous.

Use only high-strength Type 1 organic bonded wheels rated 4300 rpm or higher that comply with EN12413.

Recommended accessories for use with your tool are available at extra cost from your local dealer or authorized service center.

Protecting the environment



Separate collection. This product must not be disposed of with normal household waste.

Should you find one day that your Stanley Fat Max product needs replacement, or if it is of no further use to you, do not dispose of it with household waste. Make this product available for separate collection.



Separate collection of used products and packaging allows materials to be recycled and used again.

Re-use of recycled materials helps prevent environmental pollution and reduces the demand for raw materials.

Local regulations may provide for separate collection of electrical products from the household, at municipal waste sites or by the retailer when you purchase a new product.

Stanley Europe provides a facility for the collection and recycling of Stanley Fat Max products once they have reached the end of their working life. To take advantage of this service please return your product to any authorised repair agent who will collect them on our behalf.

You can check the location of your nearest authorised repair agent by contacting your local Stanley Europe office at the address indicated in this manual. Alternatively, a list of authorised Stanley Europe repair agents and full details of our after-sales service and contacts are available on the Internet at: www.2helpU.com

Technical data

		FME700 (Type1)
Voltage	V _{ac}	230
Power Input	W	2,300
No-Load Speed	min ⁻¹	3,800
Max. Peripheral Speed Cutting Disc	m/s	80
Max. Disc Diameter	mm	355
Disc Bore	mm	25.4
Max Disc Thickness	mm	3
Type Of Cutting Disc		Straight, non recessed
Cross Cutting Capacity at 90°		
Circular	mm	125
Square	mm	115
Rectangular	mm	115 x 130
Angular	mm	137 x 137
Cross Cutting Capacity at 45°		
Circular	mm	115
Square	mm	98 x 98
Rectangular	mm	105 x 95
Angular	mm	95 x 95
Weight	kg	18

		FME700 (Type1)
L _{pa} (Sound Pressure)	dB(A)	92.5
Uncertainty (K)	dB(A)	3
L _{wa} (Sound Power)	dB(A)	105.5
Uncertainty (K)	dB(A)	3
Vibration a _n	m/s ²	6.5
Uncertainty (K)	m/s ²	1.5

EC declaration of conformity

MACHINERY DIRECTIVE



FME700

Stanley Europe declares that these products described under "technical data" are in compliance with:
2006/42/EC, EN61029-1, EN61029-2-10

These products also comply with Directive 2004/108/EC and 2011/65/EU. For more information, please contact Stanley Europe at the following address or refer to the back of the manual.

The undersigned is responsible for compilation of the technical file and makes this declaration on behalf of Stanley Europe.

Kevin Hewitt
Vice-President Global Engineering
Stanley Europe, Egide Walschaertsstraat14-18,
2800 Mechelen, Belgium
28/08/2012

Guarantee

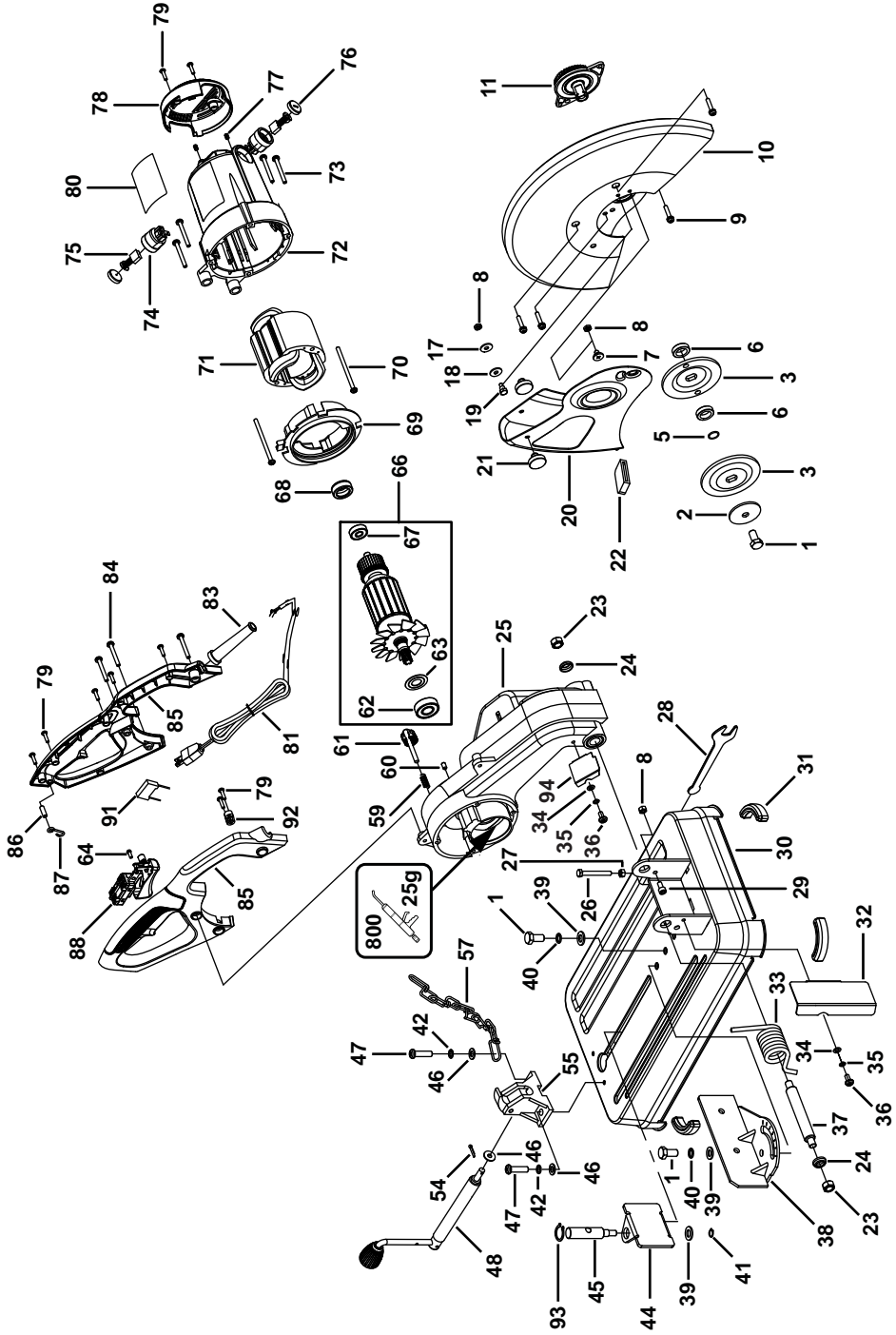
StanleyEurope is confident of the quality of its products and offers an outstanding guarantee for professional users of the product. This guarantee statement is in addition to and in no way prejudices your contractual rights as a private non-professional user. The guarantee is valid within the territories of the Member States of the European Union and the European Free Trade Area.

ONE-YEAR FULL WARRANTY

If your Stanley Fat Max product becomes defective due to faulty materials or workmanship within 12 months from the date of purchase, Stanley Europe guarantees to replace all defective parts free of charge or – at our discretion – replace the unit free of charge provided that:

- ◆ The product has not been misused and has been used in accordance with the instruction manual.
- ◆ The product has been subject to fair wear and tear;
- ◆ Repairs have not been attempted by unauthorised persons;
- ◆ Proof of purchase is produced.
- ◆ The Stanley Fat Max product is returned complete with all original components

If you wish to make a claim, contact your seller or check the location of your nearest authorised Stanley Fat Max repair agent in the Stanley Fat Max catalogue or contact your local Stanley office at the address indicated in this manual. A list of authorised Stanley Fat Max repair agents and full details of our after sales service is available on the internet at:www.stanley.eu/3



United Kingdom
Stanley Fat Max
210 Bath Road
Slough, Berkshire SL1 3YD

Tel. 01753 511234
Fax 01753 572112
www.stanleytools.co.uk